

# Connecting elements, plastic

for energy chains, inner height 45 mm


**Material:**

Polyamide fibreglass reinforced.

**Version:**

Black.

**Sample order:**

nIm 80850-91-45100

**Note for ordering:**

The connecting elements are supplied in pairs.

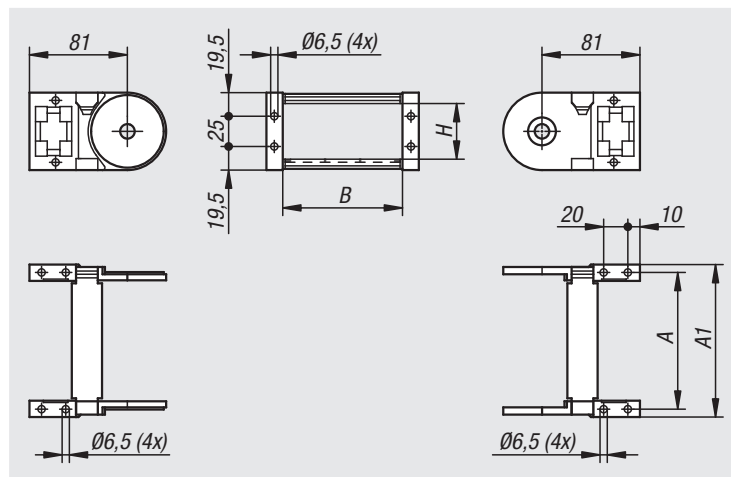
**Note:**

The connecting elements are used to attach the two ends of the energy supply chain to the installation.

The connecting elements are connected on the outer or inner radius.

**Temperature range:**

-30°C to +125°C



Order No.	A	A1	B	H	Suitable for
80850-91-45100	113	126	100	45	80850-90-45100...
80850-91-45150	163	176	150	45	80850-90-45150...
80850-91-45200	213	226	200	45	80850-90-45200...