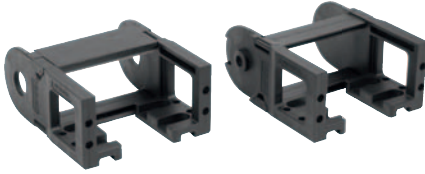


Connecting elements, plastic

for energy chains, inner height 35 mm


Material:

Polyamide fibreglass reinforced.

Version:

Black.

Sample order:

nIm 80850-31-35076

Note for ordering:

The connecting elements are supplied in pairs.

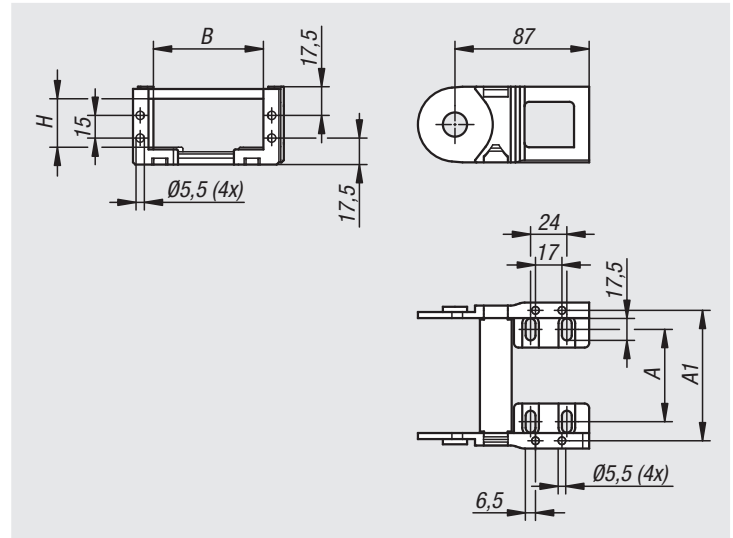
Note:

The connecting elements are used to attach the two ends of the energy supply chain to the installation.

The connecting elements are connected on the outer or inner radius.

Temperature range:

-30°C to +125°C



Order No.	A	A1	B	H	Suitable for
80850-31-35076	61	87	76	35	80850-30-35076...
80850-31-35103	88	114	103	35	80850-30-35103...
80850-31-35150	135	161	150	35	80850-30-35150...