

Energy chains, plastic

inner height 35 mm, openable along inner radius



Material:

Polyamide fibreglass reinforced.

Version:

Black. Openable along inner radius.

Sample order:

nln 80850-30-350760651

Note:

Energy supply chains for safe guiding of flexible electric and data cables as well as pneumatic and hydraulic hoses. The modularly constructed chains can be easily shortened or extended.

The material is UV-resistant and therefore also suitable for outdoor applications.

Temperature range:

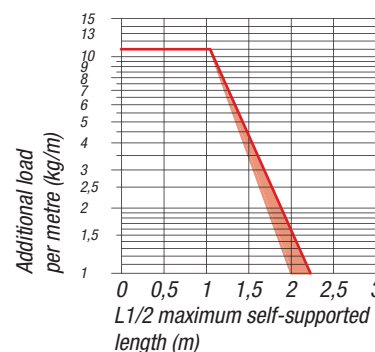
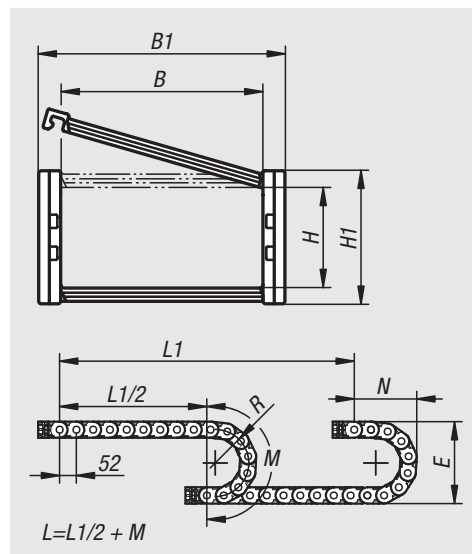
-30°C to +125°C

Technical data:

Technical features in unsupported areas:

Speed: 10 m/s

Acceleration: 50 m/s²



Order No.	B	B1	H	H1	L	E	M	N	R	No. of links
80850-30-350760651	76	92,5	35	50	1040	180	310	169	65	20
80850-30-350761001	76	92,5	35	50	1040	250	420	204	100	20
80850-30-350761501	76	92,5	35	50	1040	350	580	254	150	20
80850-30-351030651	103	119,5	35	50	1040	180	310	169	65	20
80850-30-351031001	103	119,5	35	50	1040	250	420	204	100	20
80850-30-351031501	103	119,5	35	50	1040	350	580	254	150	20
80850-30-351500651	150	166,5	35	50	1040	180	310	169	65	20
80850-30-351501001	150	166,5	35	50	1040	250	420	204	100	20
80850-30-351501501	150	166,5	35	50	1040	350	580	254	150	20

Order No.	Approx. weight kg/m	Connecting element	Tension relief	Divider
80850-30-350760651	1,22	80850-31-35076	80850-33-35076	80850-32-35
80850-30-350761001	1,22	80850-31-35076	80850-33-35076	80850-32-35
80850-30-350761501	1,22	80850-31-35076	80850-33-35076	80850-32-35
80850-30-351030651	1,32	80850-31-35103	80850-33-35103	80850-32-35
80850-30-351031001	1,32	80850-31-35103	80850-33-35103	80850-32-35
80850-30-351031501	1,32	80850-31-35103	80850-33-35103	80850-32-35
80850-30-351500651	1,5	80850-31-35150	80850-33-35150	80850-32-35
80850-30-351501001	1,5	80850-31-35150	80850-33-35150	80850-32-35
80850-30-351501501	1,5	80850-31-35150	80850-33-35150	80850-32-35