

## Connecting elements, plastic

for energy chains, inner height 25 mm



**Material:**

Polyamide fibreglass reinforced.

**Version:**

Black.

**Sample order:**

nIm 80850-21-25040

**Note for ordering:**

The connecting elements are supplied in pairs.

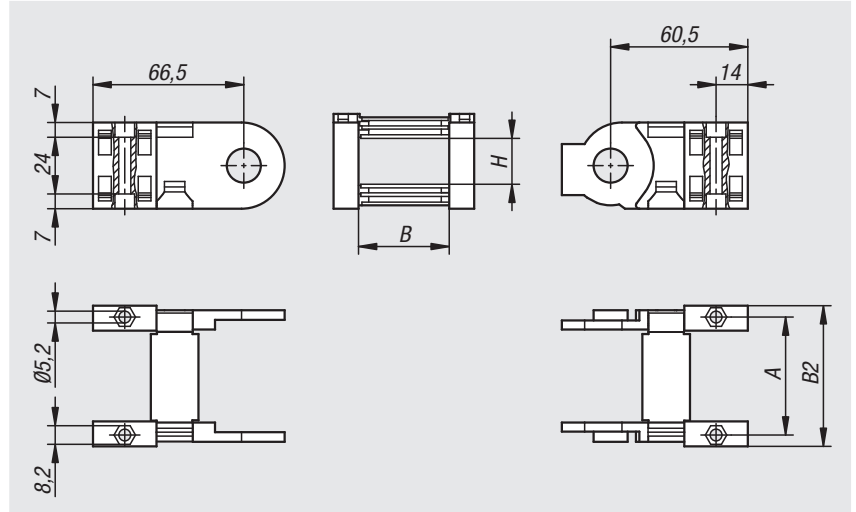
**Note:**

The connecting elements are used to attach the two ends of the energy supply chain to the installation.

The connecting elements are connected on the outer or inner radius.

**Temperature range:**

-30°C to +125°C



Order No.	A	B	B2	H	Suitable for
80850-21-25040	51	40	61	25	80850-20-25040...
80850-21-25060	71	60	81	25	80850-20-25060...
80850-21-25103	114	103	124	25	80850-20-25103...