

Energy chains, plastic

inner height 25 mm, openable along inner radius



Material:

Polyamide fibreglass reinforced.

Version:

Black. Openable along inner radius.

Sample order:

nIm 80850-20-250400501

Note:

Energy supply chains for safe guiding of flexible electric and data cables as well as pneumatic and hydraulic hoses. The modularly constructed chains can be easily shortened or extended.

The material is UV-resistant and therefore also suitable for outdoor applications.

Temperature range:

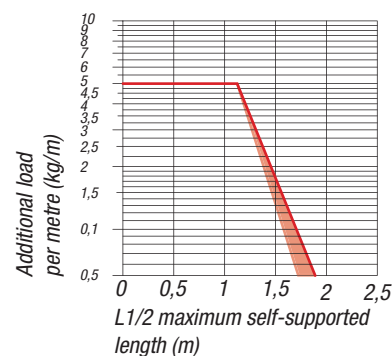
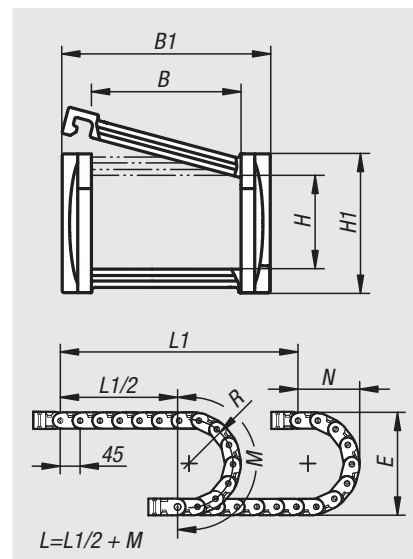
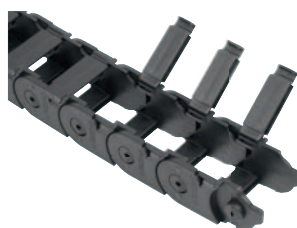
-30°C to +125°C

Technical data:

Technical features in unsupported areas:

Speed: 10 m/s

Acceleration: 50 m/s²



Order No.	B	B1	H	H1	L	E	M	N	R	No. of links
80850-20-250400501	40	57	25	38	990	138	250	115	50	22
80850-20-250400751	40	57	25	38	990	188	325	140	75	22
80850-20-250401001	40	57	25	38	990	238	405	165	100	22
80850-20-250600501	60	77	25	38	990	138	250	115	50	22
80850-20-250600751	60	77	25	38	990	188	325	140	75	22
80850-20-250601001	60	77	25	38	990	238	405	165	100	22
80850-20-251030501	103	120	25	38	990	138	250	115	50	22
80850-20-251030751	103	120	25	38	990	188	325	140	75	22
80850-20-251031001	103	120	25	38	990	238	405	165	100	22

Order No.	Approx. weight kg/m	Connecting element	Tension relief	Divider
80850-20-250400501	0,9	80850-21-25040	80850-23-25	80850-22-25
80850-20-250400751	0,9	80850-21-25040	80850-23-25	80850-22-25
80850-20-250401001	0,9	80850-21-25040	80850-23-25	80850-22-25
80850-20-250600501	0,95	80850-21-25060	80850-23-25	80850-22-25
80850-20-250600751	0,95	80850-21-25060	80850-23-25	80850-22-25
80850-20-250601001	0,95	80850-21-25060	80850-23-25	80850-22-25
80850-20-251030501	1,15	80850-21-25103	80850-23-25	80850-22-25
80850-20-251030751	1,15	80850-21-25103	80850-23-25	80850-22-25
80850-20-251031001	1,15	80850-21-25103	80850-23-25	80850-22-25