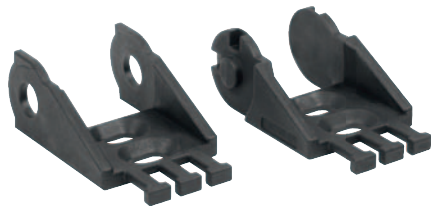


Connecting elements, plastic

for energy chains, inner height 17 mm



Material:

Polyamide fibreglass reinforced.

Version:

Black.

Sample order:

nln 80850-11-17050

Note for ordering:

The connecting elements are supplied in pairs.

Note:

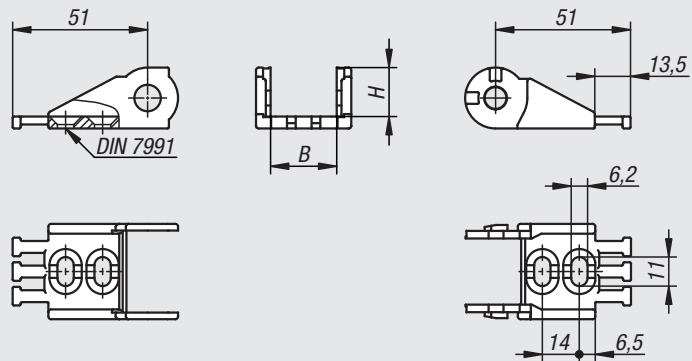
The connecting elements are used to attach the two ends of the energy supply chain to the installation. Tension relief is integrated into the connecting element.

The connecting elements are connected on the outer radius.

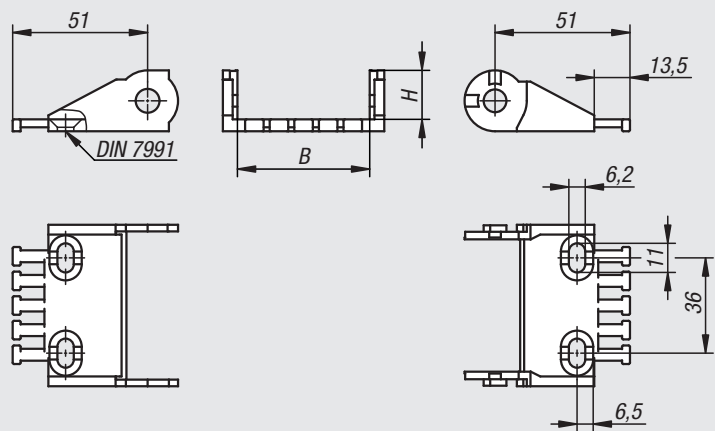
Temperature range:

-30°C to +125°C

80850-11-17025



80850-11-17050



Order No.	B	H	Suitable for
80850-11-17025	25	17	80850-10-17025...
80850-11-17050	50	17	80850-10-17050...