

Energy chains, plastic

inner height 17 mm, openable along inner radius



Material:

Polyamide fibreglass reinforced.

Version:

Black. Openable along inner radius.

Sample order:

nIm 80850-10-170250281

Note:

Energy supply chains for safe guiding of flexible electric and data cables as well as pneumatic and hydraulic hoses. The modularly constructed chains can be easily shortened or extended.

The material is UV-resistant and therefore also suitable for outdoor applications.

Temperature range:

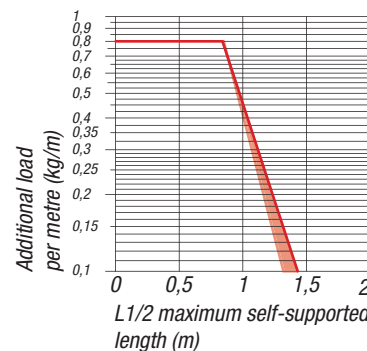
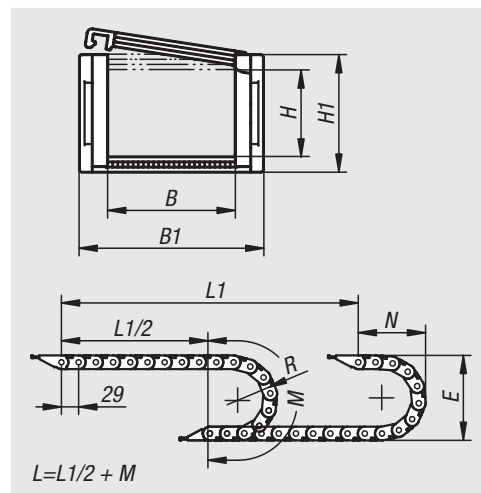
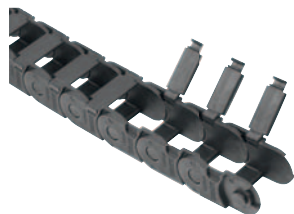
-30°C to +125°C

Technical data:

Technical features in unsupported areas:

Speed: 10 m/s

Acceleration: 50 m/s²



Order No.	B	B1	H	H1	L	E	M	N	R	No. of links	Approx. weight kg/m
80850-10-170250381	25	36	17	23	986	99	177	78,5	38	34	0,37
80850-10-170500281	50	61	17	23	986	79	146	68,5	28	34	0,43
80850-10-170500601	50	61	17	23	986	143	246	100,5	60	34	0,43
80850-10-170250601	25	36	17	23	986	143	246	100,5	60	34	0,37
80850-10-170500381	50	61	17	23	986	99	177	78,5	38	34	0,43
80850-10-170250281	25	36	17	23	986	79	146	68,5	28	34	0,37

Order No.	Connecting element	Tension relief	Divider
80850-10-170250381	80850-11-17025	integrated in connection element	80850-12-17
80850-10-170500281	80850-11-17050	integrated in connection element	80850-12-17
80850-10-170500601	80850-11-17050	integrated in connection element	80850-12-17
80850-10-170250601	80850-11-17025	integrated in connection element	80850-12-17
80850-10-170500381	80850-11-17050	integrated in connection element	80850-12-17
80850-10-170250281	80850-11-17025	integrated in connection element	80850-12-17