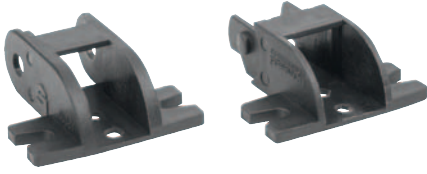


Connecting element, plastic

for energy chains, inner height 12 mm



Material:

Polyamide fibreglass reinforced.

Version:

Black.

Sample order:

nIm 80850-01-12012

Note for ordering:

The connecting elements are supplied in pairs.

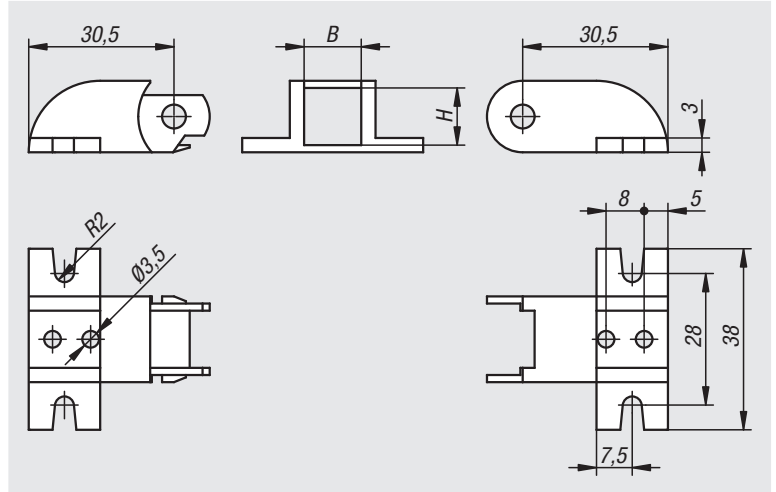
Note:

The connecting elements are used to attach the two ends of the energy supply chain to the installation.

The connecting elements are connected on the outer radius.

Temperature range:

-30°C to +125°C



Order No.	B	H	Suitable for
80850-01-12012	12	12	80850-120120180