

# Connectors

with screw fitting



### Material:

Cable and housing PUR  
Contacts gold-plated bronze.

### Version:

Bush (female)  
Voltage: U max. 60 V  
Current: I max. 4 A  
Terminals: 3-pin  
Security type: IP 67

### Sample order:

nIm 80150-010X2000

### Note:

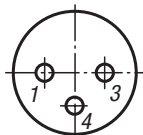
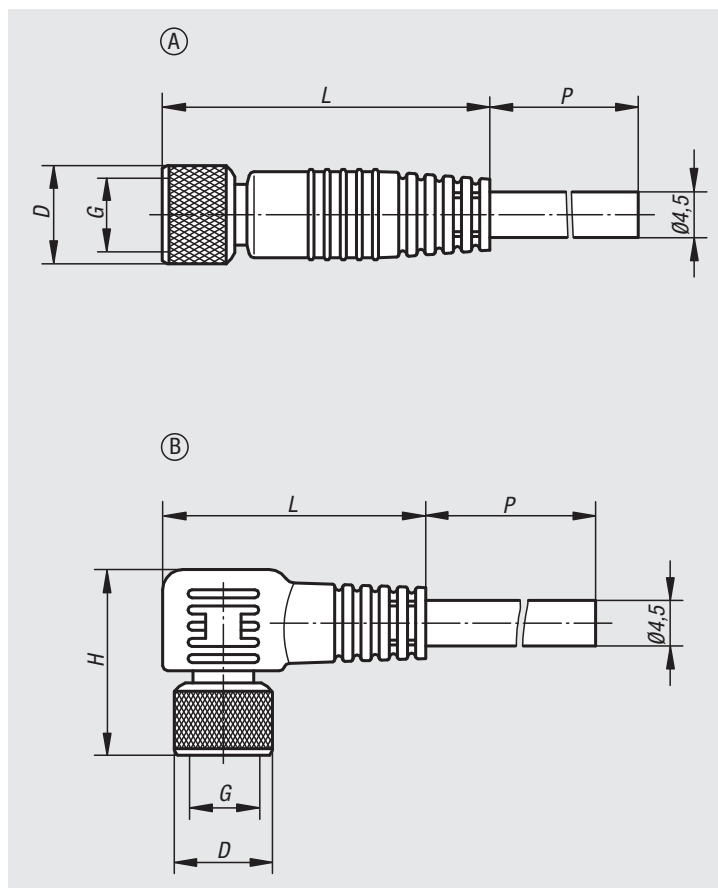
Plug connector with screw fitting.  
Plug encapsulated to cable.

### Temperature range:

-25 °C to +70 °C

### Drawing reference:

1 = brown (BN)  
3 = blue (BU)  
4 = black (BK)



Order No.	Form	D	H	G	L	P	No. of conductors x conductor cross-section
80150-010X2000	A	9,7	-	M8x1	32	2000	3 x 0,25 mm <sup>2</sup>
80150-020X2000	A	14,5	-	M12x1	41,5	2000	3 x 0,34 mm <sup>2</sup>
80150-030X2000	B	9,7	18,2	M8x1	26	2000	3 x 0,25 mm <sup>2</sup>
80150-040X2000	B	14,5	26,5	M12x1	38,5	2000	3 x 0,34 mm <sup>2</sup>