

Connectors

with screw fitting



Material:

Cable sheath and housing PVC.

Version:

- Bush (female)
- Voltage: Ue 30 V
- Current: Ie 2 A
- No. of pins: 8 or 12
- No. of wires: 8 or 12
- Rating: IP 67
- Grip body: black
- Cable: grey

Sample order:

nIm 80150-10-1208X2500

Note:

- Connector with screw lock.
- Connector moulded to cable.
- Wires colour coded acc. to DIN 47100.
- Coding A.
- Limited dragchain compatibility.
- Recommended tightening torque: 1.0 Nm.

Temperature range:

- Moving: 0 °C to +80 °C
- Fixed: -25 °C to +80 °C

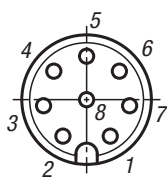
Features:

- Form A: bush straight
- Form B: bush angled

Drawing reference:

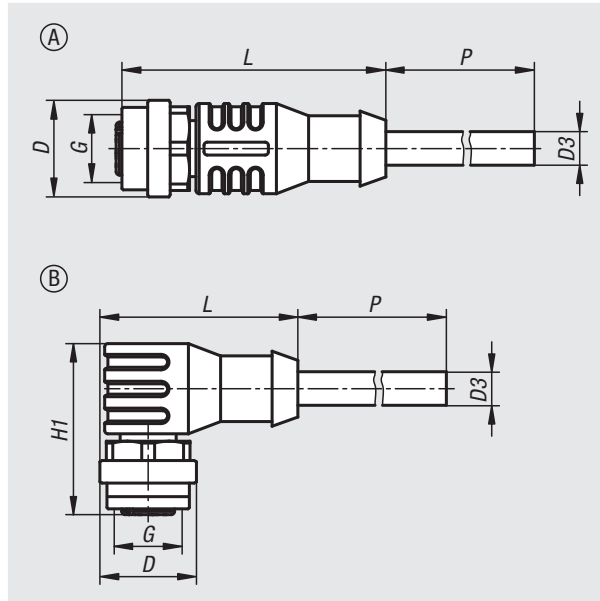
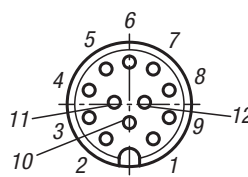
8 pin:

- 1) White (WH)
- 2) Brown (BN)
- 3) Green (GN)
- 4) Yellow (YE)
- 5) Grey (GY)
- 6) Pink (PK)
- 7) Blue (BU)
- 8) Red (RD)



12 pin:

- 1) Brown (BN)
- 2) Blue (BU)
- 3) White (WH)
- 4) Green (GN)
- 5) Pink (PK)
- 6) Yellow (YE)
- 7) Black (BK)
- 8) Grey (GY)
- 9) Red (RD)
- 10) Violet (VT)
- 11) Grey-Pink (GY/PK)
- 12) Red-Blue (RD/BU)



Order No.	Form	Version 2	D	D3	G	H1	L	P
80150-10-1208X2500	A	8-pin	14,5	6	M12x1	-	41,5	2500
80150-10-1208X5000	A	8-pin	14,5	6	M12x1	-	41,5	5000
80150-10-1208X10000	A	8-pin	14,5	6	M12x1	-	41,5	10000
80150-10-1212X10000	A	12-pin	15	6	M12x1	-	41,9	10000
80150-10-11208X10000	B	8-pin	15	6	M12x1	26,4	39	10000
80150-10-11212X10000	B	12-pin	15	6	M12x1	26,4	39	10000