

Connectors

self-assembly with screw fitting



Material:

Housing, plastic

Contacts M8x1 gold-plated bronze.

Contacts M12x1 Optaloy-coated brass.

Version:

Bush (female)

Voltage: U max. 60 V

Current: I max. 4 A

Terminals: 3-pin (4-pin by M12x1)

Security type: IP 67

Sample order:

nIm 80100-010

Note:

Plug connector for self-assembly with screw lock.

Temperature range:

-25 °C to +85 °C

Drawing reference:

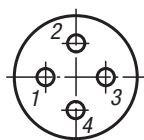
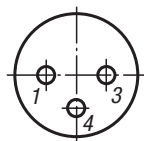
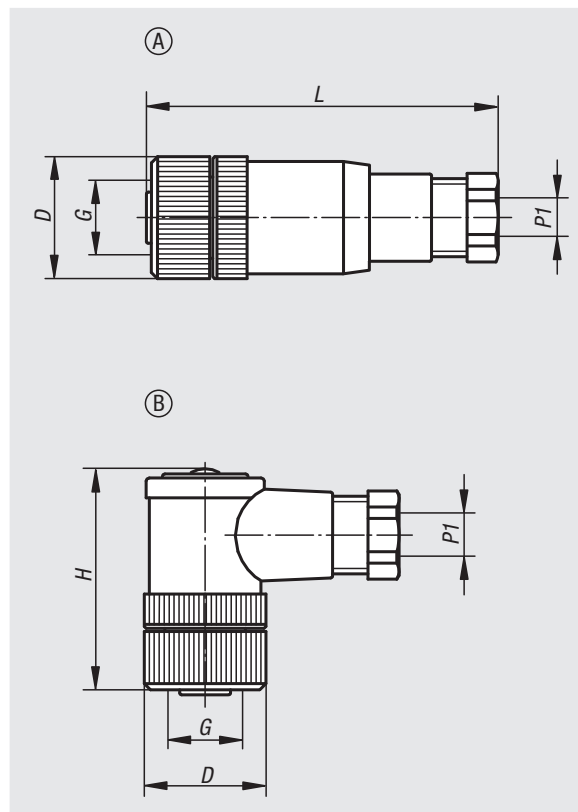
P1 = cable outlet

1 = brown (BN)

2 = white (WH)

3 = blue (BU)

4 = black (BK)



Order No.	Form	D	G	H	L	P1	connection type	Connection cross-section max. (mm ²)
80100-010	A	12	M8x1	-	45	3,5 - 5	screw connection	0,5
80100-020	A	20	M12x1	-	54	4 - 6	screw connection	0,75
80100-030	B	12	M8x1	28	-	3,5 - 5	soldered connection	0,25
80100-040	B	20	M12x1	38	-	4 - 6	screw connection	0,75