

Clamping claw sets



Material:
Carbon steel.

Version:
Black oxidised.

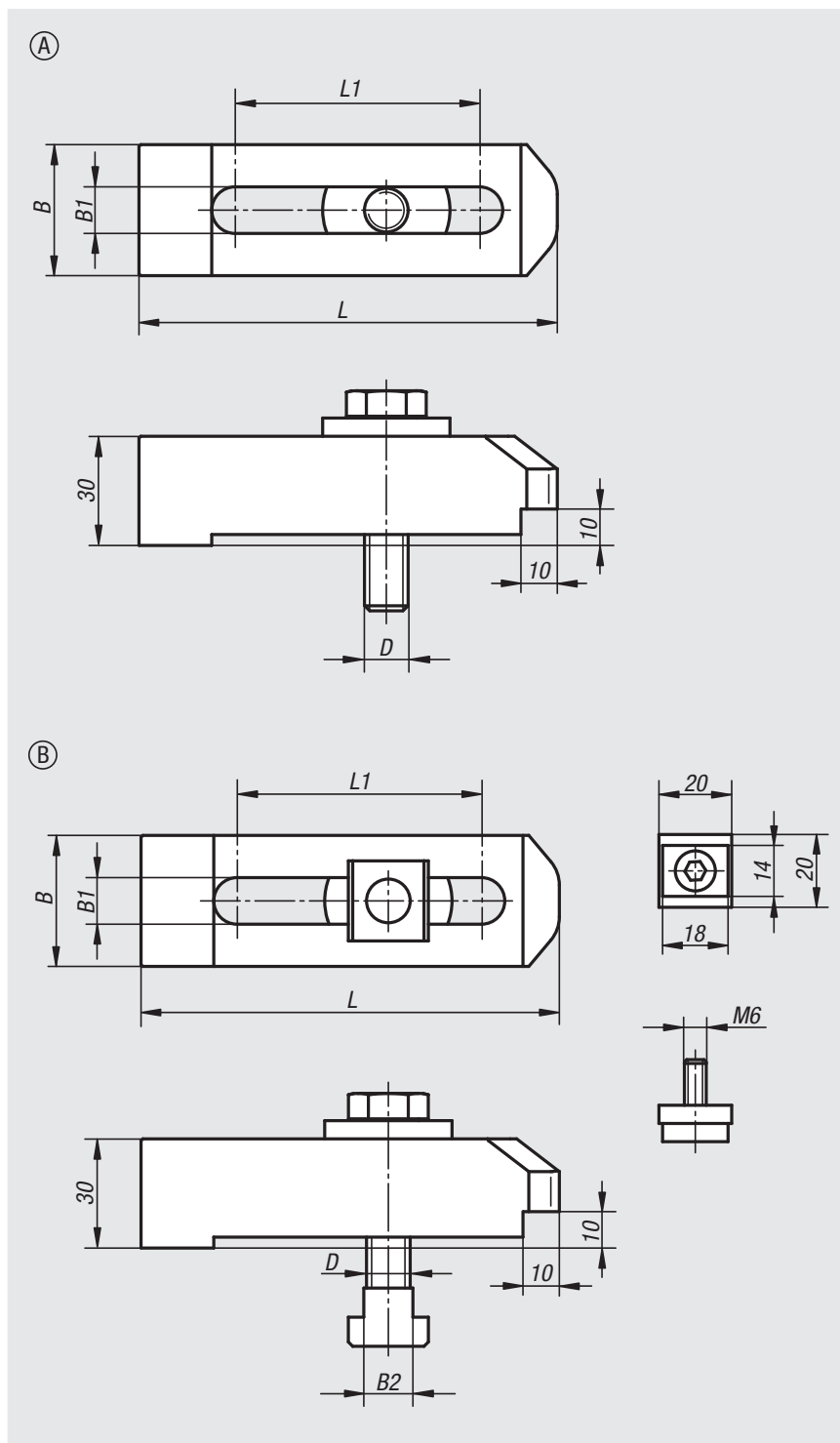
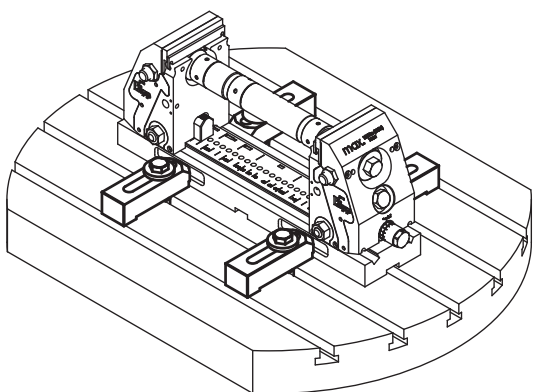
Sample order:
nlm 41375-0012

Note:
Form A
41375-0012
Claw clamp for M12, hex head bolt M12x55 grade 12.9, washer for clamping tool.

41375-0016
Claw clamp for M16, hex head bolt M16x60 grade 12.9, washer for clamping tool.

Form B
41375-1412
Claw clamp for M12, hex head bolt M12x55 grade 12.9, washer for clamping tool,
Nut for T-slots - slot size 14, slot guide key, cap screw M6x12.

41375-1816
Claw clamp for M16, hex head bolt M16x60 grade 12.9, washer for clamping tool,
Nut for T-slots - slot size 18, slot guide key, cap screw M6x12.



Order No.	Form	Form-Type	B	B1	B2	D	L	L1
41375-0012	A	without slot key	40	12,8	-	M12	115	67,2
41375-0016	A	without slot key	40	16,8	-	M16	115	67,2
41375-1412	B	with t-slot key	40	12,8	13,5	M12	115	67,2
41375-1816	B	with t-slot key	40	16,8	17,5	M16	115	67,2