

## Stop sets



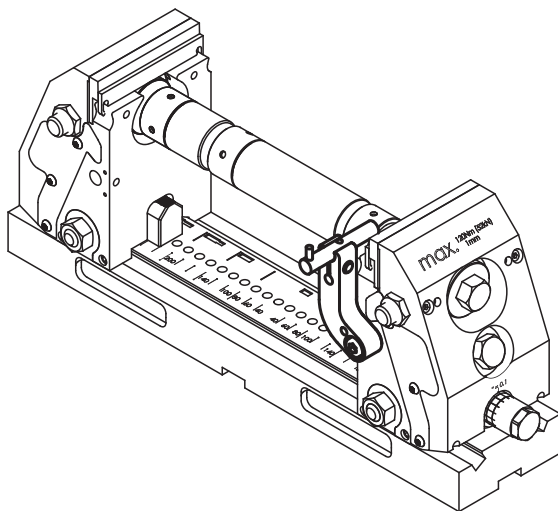
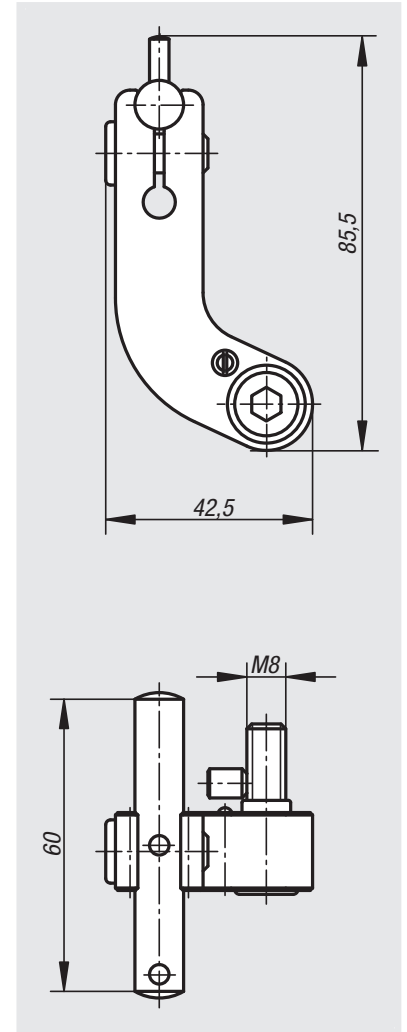
**Material:**  
Steel.

**Version:**  
Swivel arm, black oxidised.  
Stop pin bright.

**Sample order:**  
nlm 41370-150

**Note:**  
Stop set for direct fastening to jaws. The stop can be swivelled aside for machining the workpiece without losing the stop dimension.

Supplied complete with attachment parts.



Order No.

Suitable for

41370-150

5-axis vice compact and KIPflexX