

# Couplings

for cross-clamping



**Material:**

Carbon steel.

**Version:**

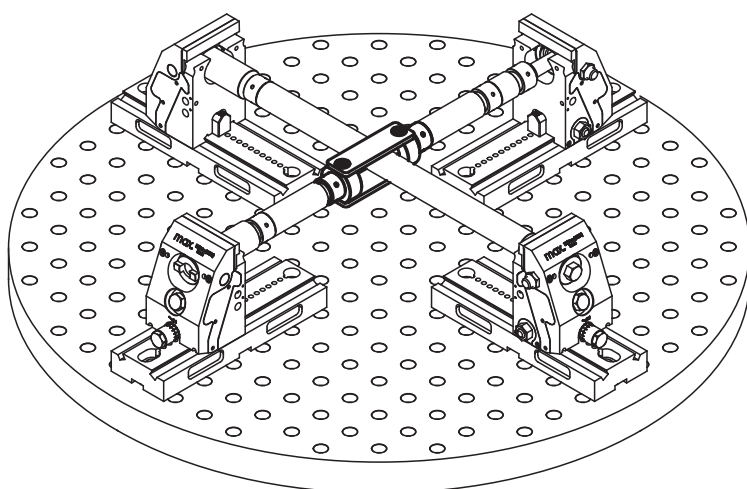
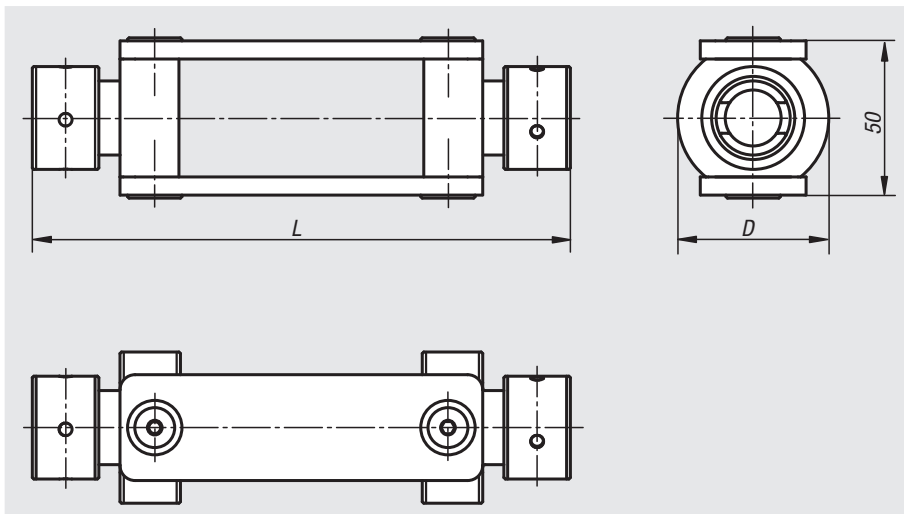
Black oxidised.

**Sample order:**

nln 41365-178

**Note:**

Two 5-axis clamping systems can be connected using a coupling for cross-clamping, allowing a workpiece to be held on four sides.



Order No.

D

L

41365-178

50

178