

Extension shafts

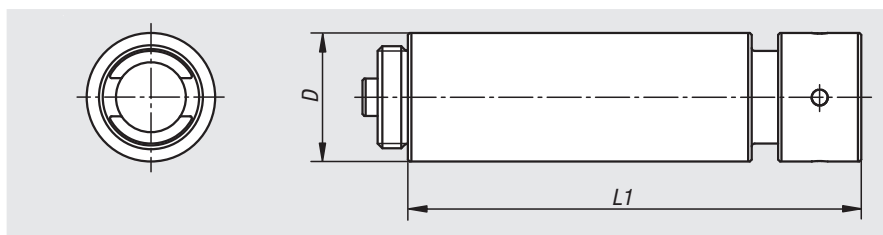


Material:
Carbon steel.

Version:
Black oxidised.

Sample order:
nlm 41355-060

Note:
For setting the clamping width.
Supplied with union nut.
The extension shafts can be combined as required.



| Order No. | D | L1 | Clamp range |
|-----------|----|-----|---------------------|
| 41355-060 | 34 | 60 | extension by 60 mm |
| 41355-120 | 34 | 120 | extension by 120 mm |
| 41355-240 | 34 | 240 | extension by 240 mm |
| 41355-480 | 34 | 480 | extension by 480 mm |

Adapter shafts

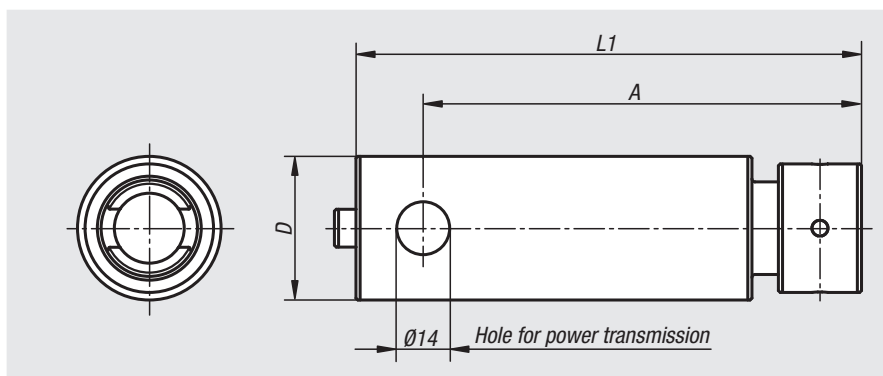


Material:
Carbon steel.

Version:
Black oxidised.

Sample order:
nlm 41360-060

Note:
For setting the clamping width.
Supplied with union nut.
The adapter shafts are linked to the vice jaws by the lateral holes.
An adapter shaft must be mounted in every compact 5-axis clamp.



| Order No. | A | D | L1 | Clamp range |
|-----------|-----|----|-----|-------------|
| 41360-060 | 56 | 38 | 74 | 20-80 |
| 41360-120 | 116 | 38 | 134 | 80-140 |