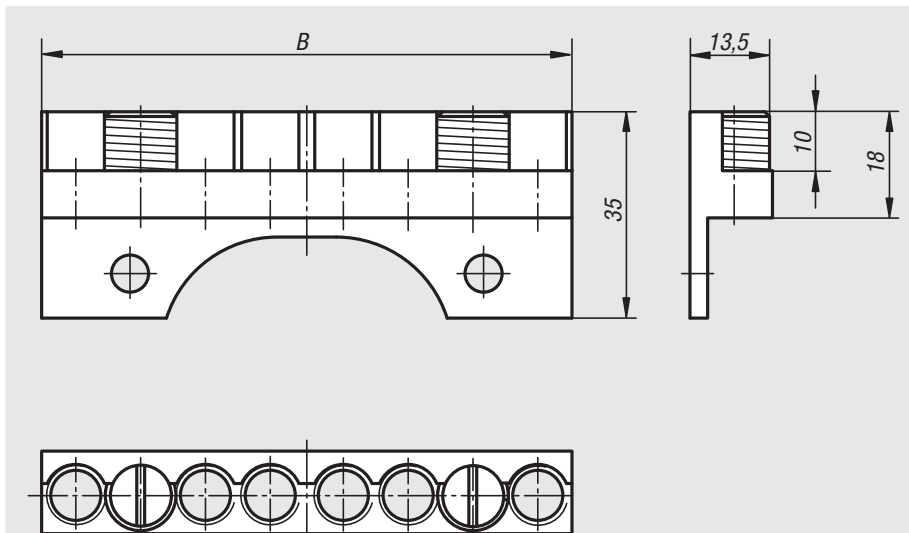
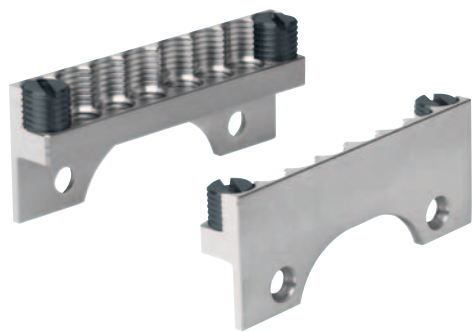


Cylinder clamping sets



Material:

Tool steel.

Version:

Vice jaw hardened, bright.
Pins hardened, black oxidised.

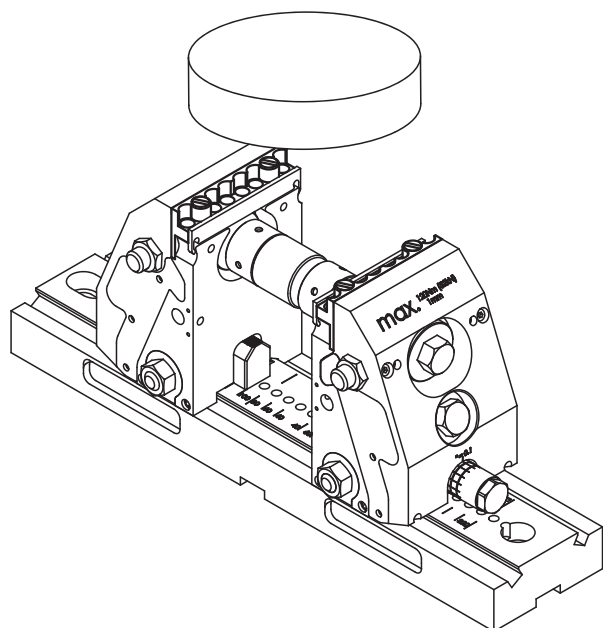
Sample order:

nIm 41350-09035

Note:

For holding round workpieces.
Max. clamping travel of jaw is 1 mm.

Supplied in pairs.



Order No.	B	Clamping range min. - max.
41350-09035	90	20 mm - 250 mm
41350-12535	125	20 mm - 320 mm