

Jaw plates smooth

for centre jaws



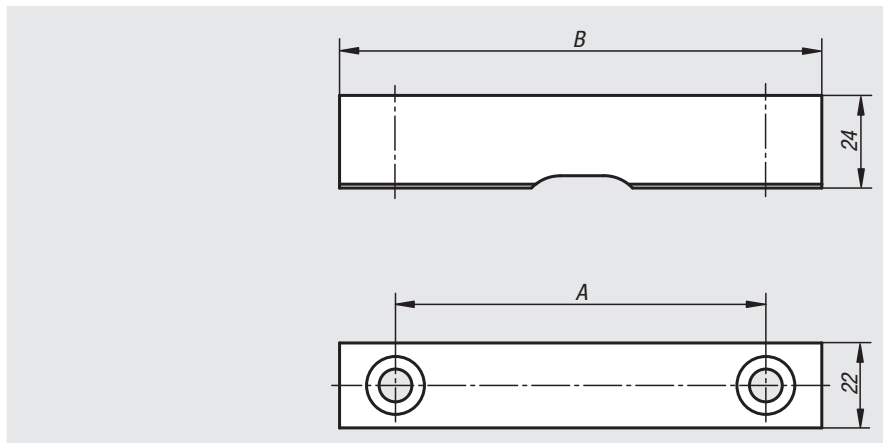
Material:
Tool steel.

Version:
Hardened, bright.

Sample order:
nlm 41340-0900

Note:
For clamping pre-machined and ground workpieces.

Supplied singly.



Order No.	A	B
41340-0900	61	90
41340-1250	96	125

Jaw plates with pins

for centre jaws



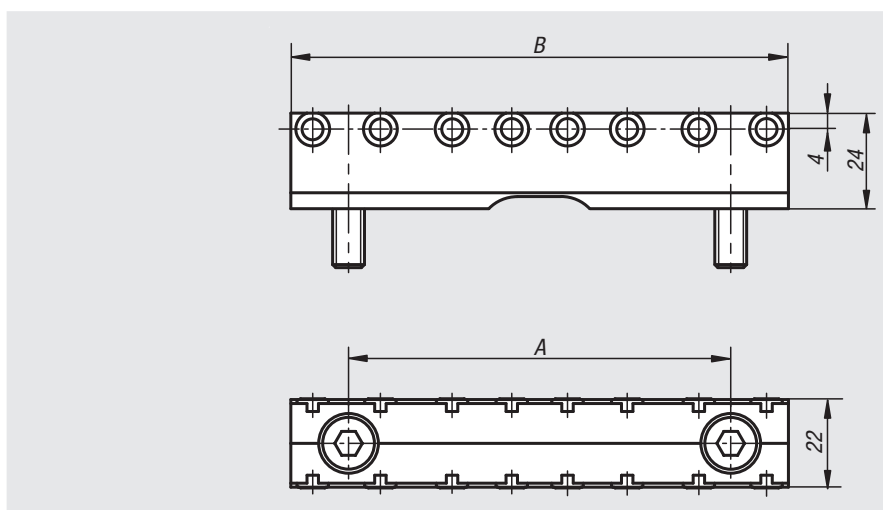
Material:
Tool steel.

Version:
Vice jaw hardened, bright.
Pins hardened, black oxidised.

Sample order:
nlm 41340-0901

Note:
For positive clamping without preforming, e.g. rough pieces, heavy cutting, castings etc.

Supplied singly.



Order No.	A	B	No. of pins
41340-0901	61	90	6
41340-1251	96	125	8