

# Jaw plates smooth

for pendulum jaws



**Material:**

Tool steel.

**Version:**

Hardened, bright.

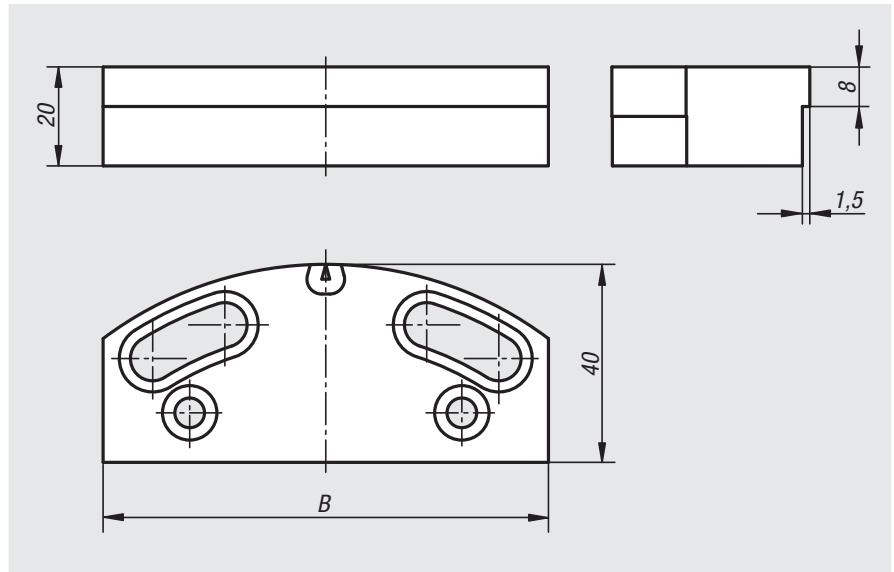
**Sample order:**

nIm 41330-0900

**Note:**

For clamping pre-machined and ground workpieces.

Supplied singly.



Order No.	B
41330-0900	90
41330-1250	125

# Jaw plates with pins

for pendulum jaws



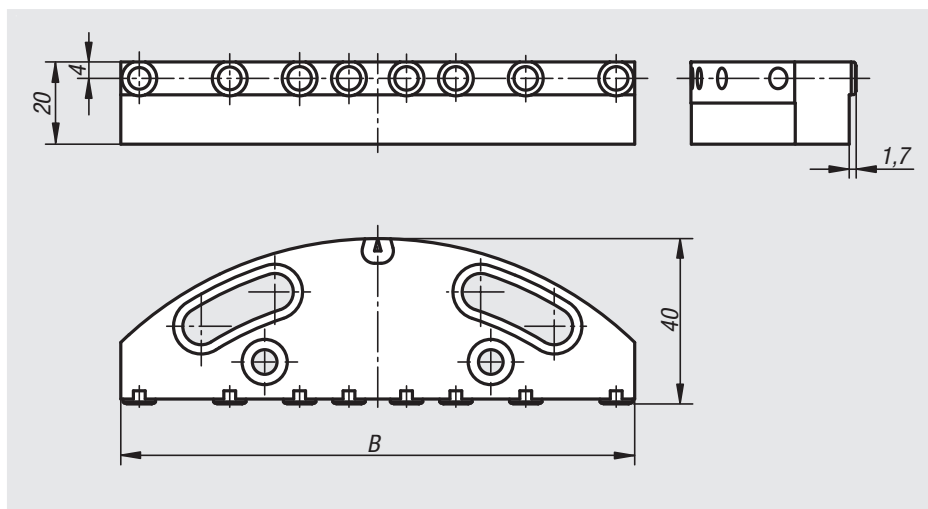
**Material:**  
Tool steel.

**Version:**  
Vice jaw hardened, bright.  
Pins hardened, black oxidised.

**Note for ordering:**  
41330-0901

**Note:**  
For positive clamping without preforming, e.g.  
rough pieces, heavy cutting, castings etc.

Supplied singly.



Order No.	B	No. of pins
41330-0901	90	6
41330-1251	125	8