

Jaw plates smooth



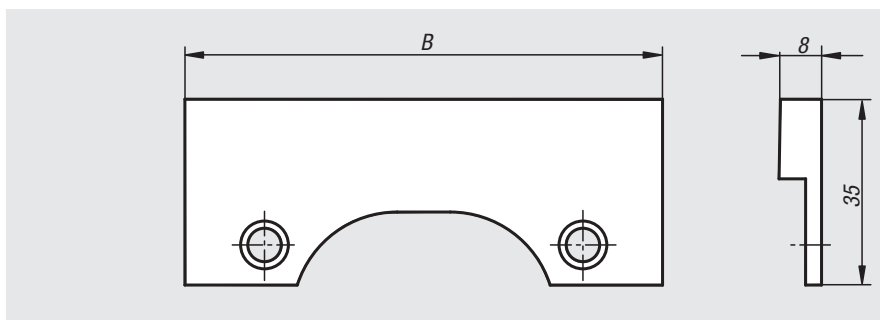
Material:
Tool steel.

Version:
Hardened, bright.

Sample order:
nlm 41320-0900

Note:
For clamping pre-machined workpieces and for final machining.

Supplied singly.



Order No.	B
41320-0900	90
41320-1250	125

Jaw plates with pins



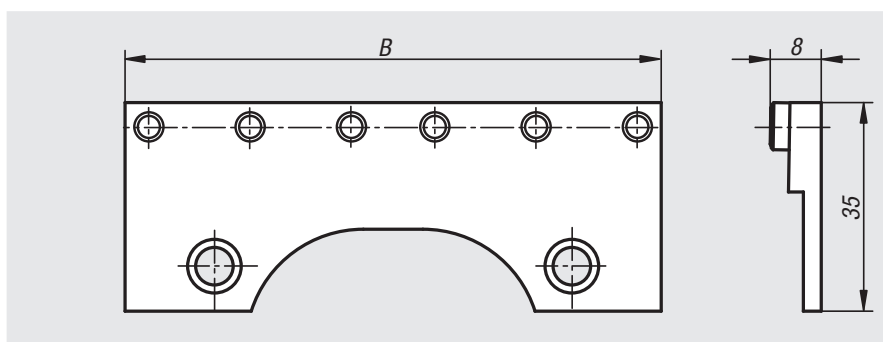
Material:
Tool steel.

Version:
Plate hardened, bright.
Pins hardened, black oxidised.

Sample order:
nlm 41320-0901

Note:
For positive clamping without preforming, e.g. rough pieces, heavy cutting, castings etc.

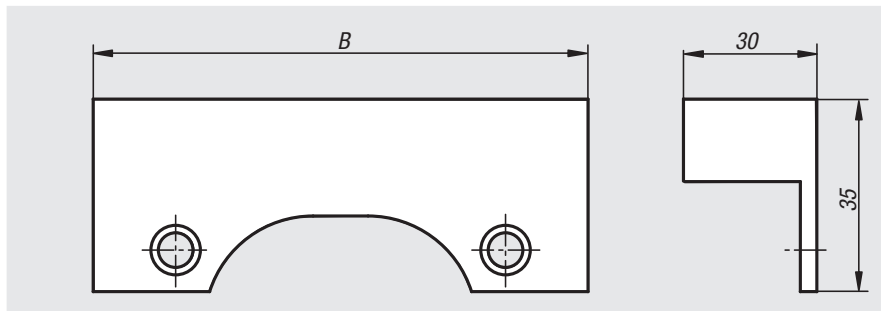
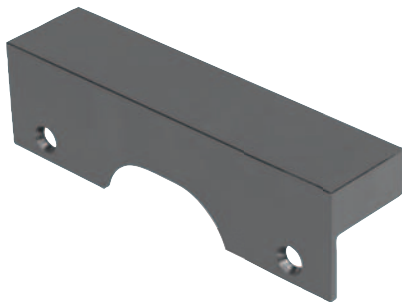
Supplied singly.



Order No.	B	No. of pins
41320-0901	90	6
41320-1251	125	8

Jaw plates

machinable



Material:
Carbon steel.

Version:
Black oxidised.

Sample order:
nlm 41320-0902

Note for ordering:
Supplied singly.

Note:
Machinable jaw plates are ideal for gripping on workpiece contours and machining in steps.

Order No.	B
41320-0902	90
41320-1252	125

Notes

