

Vice jaws complete


Material:

Jaws mild steel.
Jaw plates tool steel.

Version:

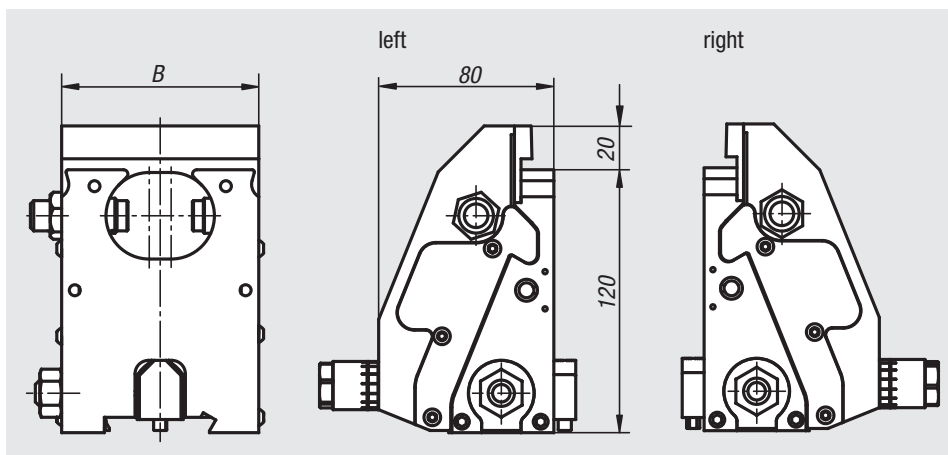
Jaws black oxidised.
Vice jaws bright.

Sample order:

nIm 41315-09015010

Note:

These vice jaws are for expanding the 5-axis clamping system compact.
With these vice jaws large workpieces can be held on all four sides by cross clamping. Base plates, extension shafts and the coupling for cross-clamping are also needed for this set up.



Order No.	Version	B	weight kg
41315-09015010	right	90	5,18
41315-09015020	left	90	5,18
41315-12515010	right	125	7,416
41315-12515020	left	125	7,416