

Base plates

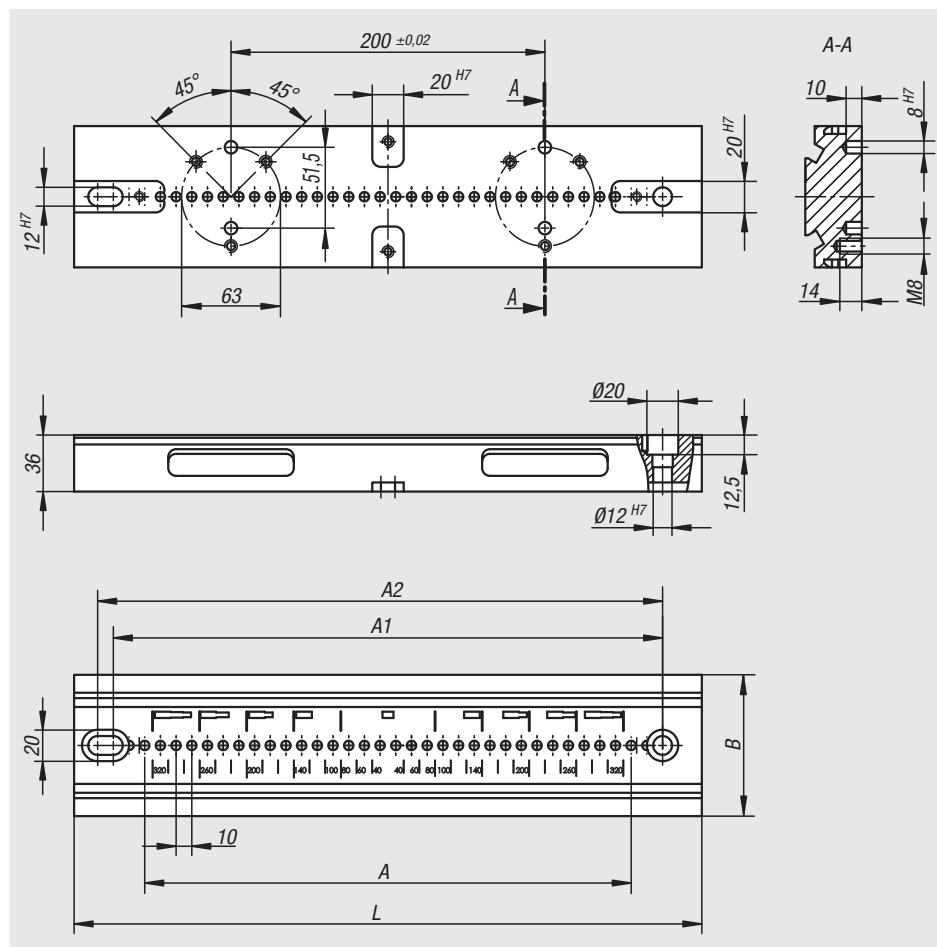


Material:
Steel.

Version:
Black oxidised.
Function faces ground.

Sample order:
nlm 41305-090280

Note:
Base plates with locating slots on the underside for easy alignment of the plate on the machine table.
Securing via grid holes 12F7 for 40 mm and 50 mm grid spacing possible.
Lateral recesses provided for separate clamping means.



Order No.	A	A1	A2	B	L	Suitable shoulder screw	weight kg
41305-090280	20x10	240	250	90	280	07533-12055	6,14
41305-090400	31x10	350	360	90	400	07533-12055	8,58
41305-125280	20x10	240	250	125	280	07533-12055	8,86
41305-125400	31x10	350	360	125	400	07533-12055	12,24