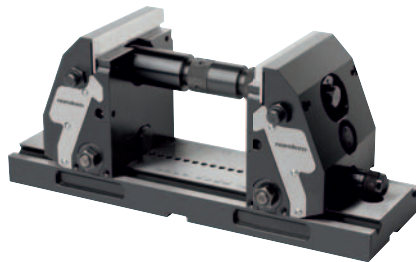


5-axis clamping system compact

jaw plate, smooth



Material:

Base plate and jaw hardened steel.
Vice jaws tool steel.

Version:

Jaws black oxidised.
Jaw plates bright.

Sample order:

nIm 41300-124000901500

Note:

The easy operability and rapid adjustment using a scale means that the clamping jaws can be quickly and surely adapted to new workpieces.
The workpiece is always centred through the systematic construction of the 5-axis compact clamping system.
The optimal accessibility to the workpiece allows short, standard tooling to be used. Tooling costs are significantly reduced.

Positive down force by a clamping depth of >5 mm.
Clamping widths of 20 mm to 320 mm are possible.

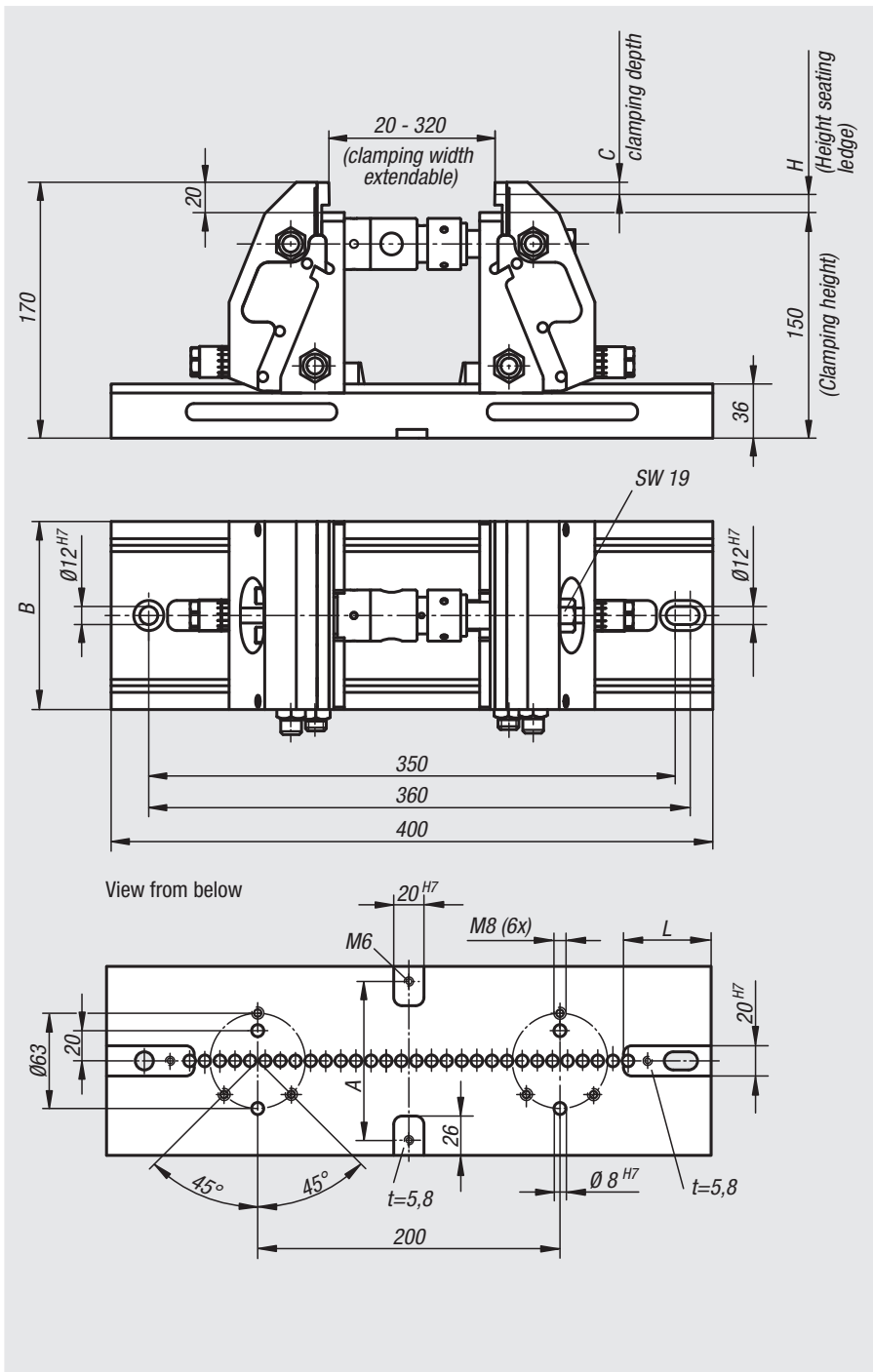
Assembly:

The 5-axis clamping system compact can be mounted on T-slot tables, grid systems or, using an adapter flange on conventional zero-point clamping systems.

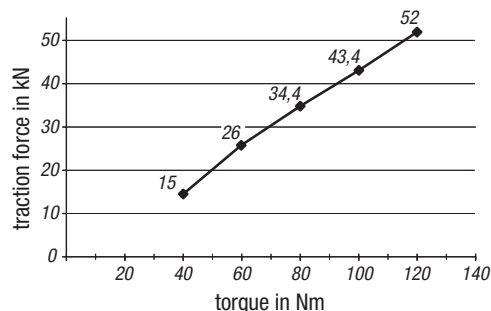
Accessories:

Seating ledge 41345
Jaw plates 41320
Pendulum jaws 41325
Centre jaws 41335
Coupling for cross-clamping 41365

Order the seating ledges and jaw plates with pins separately.



Traction force 5-axis clamping system compact



Order No.	A	B	C	H	L	Traction force max. kN	Suitable shoulder screw	weight kg
41300-124000901500	70	90	8/3	12/17	57,5	52	07533-12055	22,272
41300-124001251500	105	125	8/3	12/17	58	52	07533-12055	31