

# Columns

for spring fingers



**Material:**

Stainless steel 1.4301.

**Version:**

Bright.

**Sample order:**

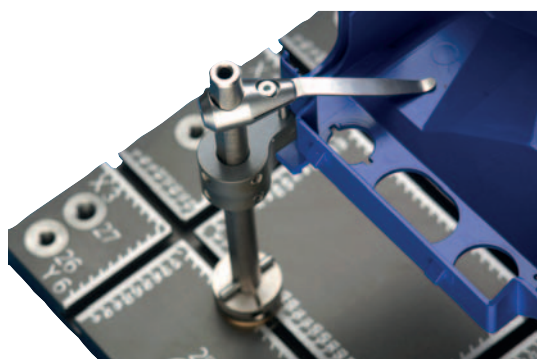
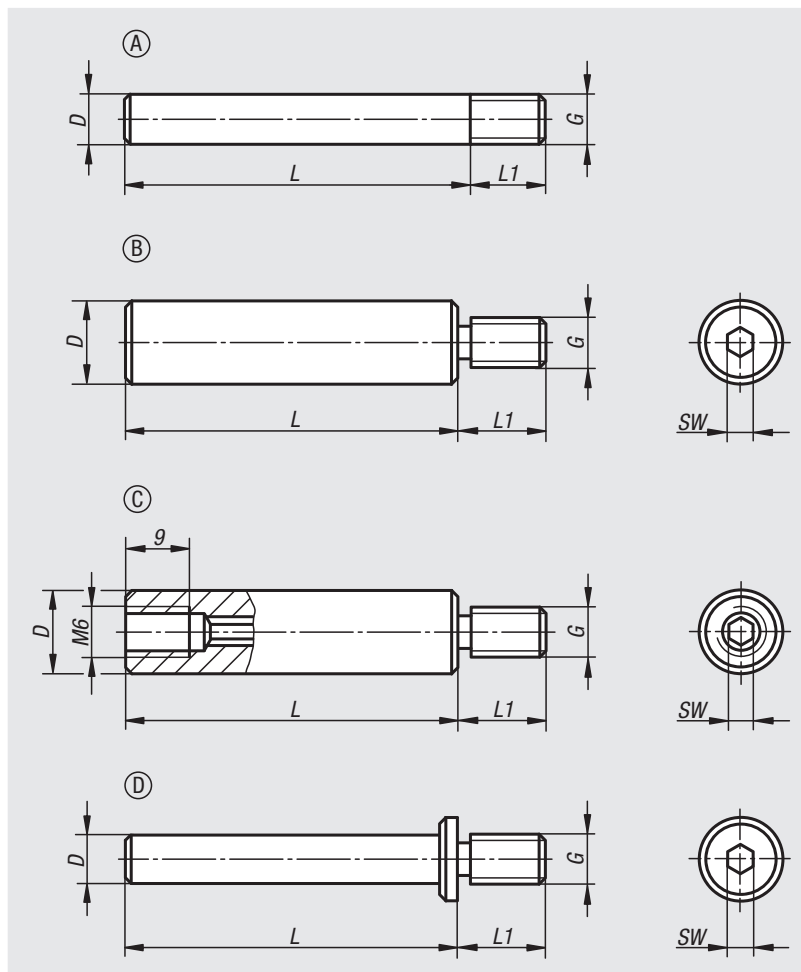
nIm 33262-0606X030 (include length L)

**Note:**

Columns for holding our spring fingers.

**Accessories:**

Spring clamp 33260.



Order No.	Form	D	G	L	L1	SW
33262-0404X	A	4	M4	30/50	5	-
33262-0606X	A	6	M6	30/50	8	-
33262-0608X	D	6	M8	30/50	10	3
33262-1206X	C	12	M6	50/100	8	3
33262-1208X	B	12	M8	50/100	11,5	4
33262-1210X	B	12	M10	50/100/150	11,5	4