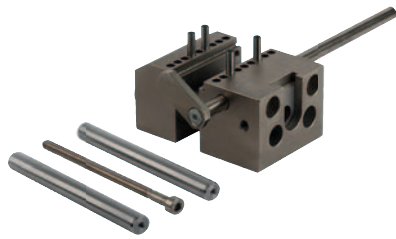


Precision vice



Material:
Steel.

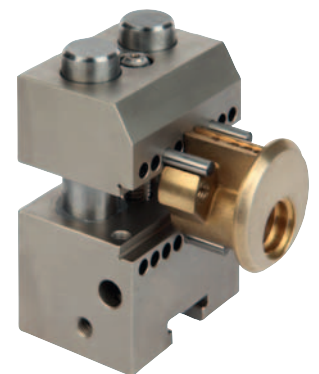
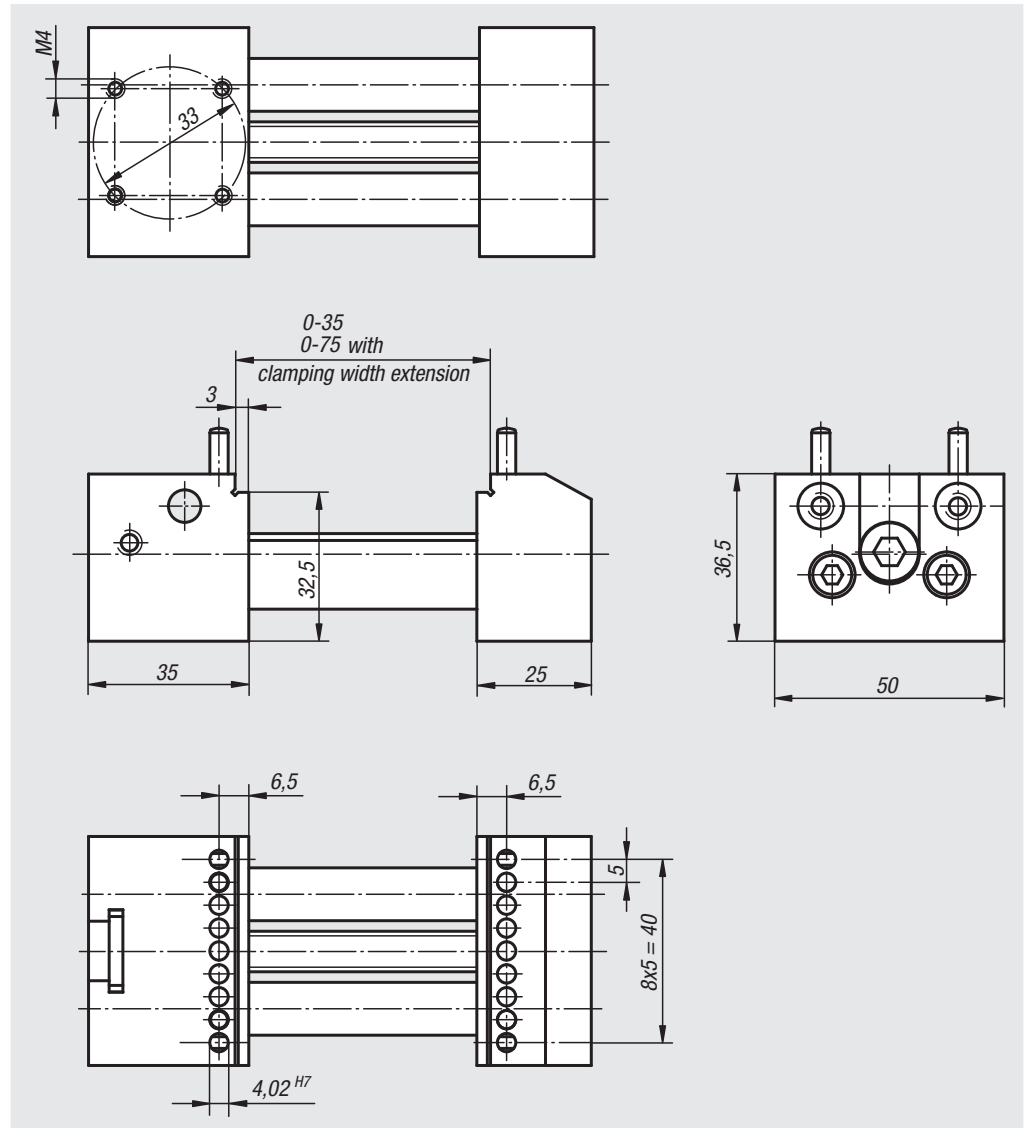
Version:
surface-hardened and precision-ground.

Sample order:
nlm 33225-500351

Note:
The precision vice is a flexible solution for positioning and securing workpieces quickly and easily for metrology machines. Parts are held in the offset jaws or pins that can be inserted into the jaws. The pins allow workpieces to be held in bores. The interchangeable guide columns allow the clamping width to be increased from 35 mm to up to 75 mm. The vice can be placed on the inspection table in 4 positions at right angles to each other.

The vice is supplied with an adjustable stop, a set of columns for extending the clamping width up to 75 mm, a spindle extension, 4 pins and operating tool.

On request:
Set of columns for extending the clamping width 100 mm or 150 mm.



Order No.

Dimensions

33225-500351

see drawing

Accessories for precision vice



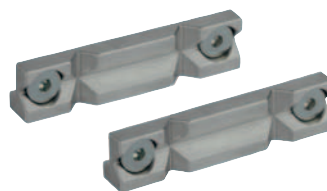
33225-01
Offset cylindrical pins
for clamping tall parts



33225-03
Offset cylindrical pins
for clamping tall parts
with 120° vee block



33225-05
Jaws for small parts



33225-06
Prism jaws



33225-07
Prism jaws
with two-point contact



33225-08
Prism jaws
with three-point contact

Order No.	Item	Material	Clamp range	Supplied with
33225-01	Dowel Pin	steel	-	4-piece set
33225-03	Dowel Pin	steel	-	4-piece set
33225-05	Jaw	stainless steel	<3	single with fastening screws
33225-06	Prism Jaw	stainless steel	Ø2-Ø10	1 pair with fastening screws
33225-07	Prism Jaw	aluminium	Ø5-Ø20	1 pair with fastening screws
33225-08	Prism Jaw	aluminium	≤ Ø30	1 pair with fastening screws