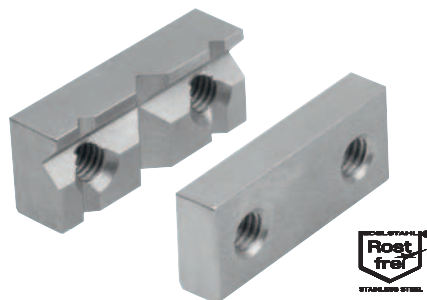


## Stainless steel jaw plates

for precision vices



**Material:**

Stainless steel

**Sample order:**

nIm 33225-15-2520

**Note:**

Exchange jaw plates for the precision vice 33225-10.

Form A: Jaw plate set consisting of one prism plate and one smooth plate.

Form B: Stepped jaws.

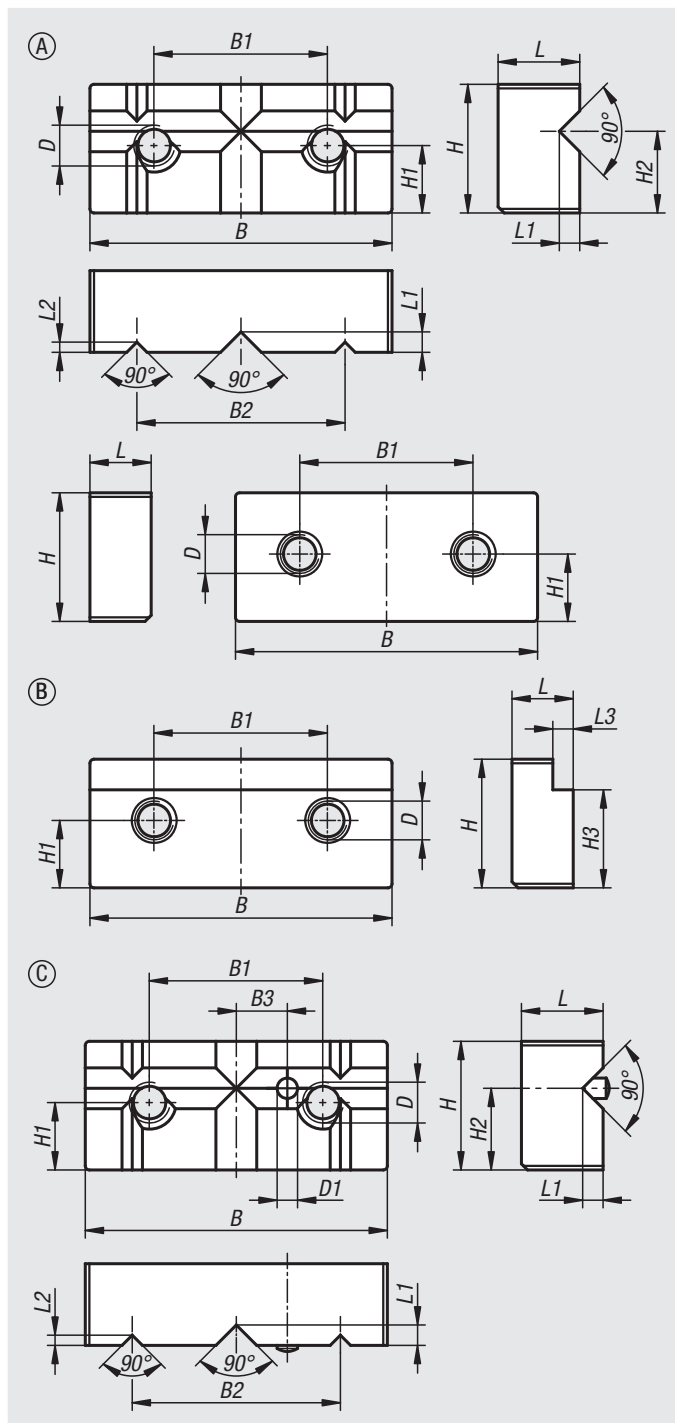
Form C: Prism jaws with stop pin.

**Supplied with:**

Form A: 1x prism plate and 1x smooth plate.

Form B: 1x stepped jaw.

Form C: 1x prism jaw with stop pin.



Order No.	Version 1	Version 2	Form	Packaging unit	B	B1	B2	B3	D	D1	H	H1	H2	H3	L	L1	L2	L3
33225-15-1520	1 pce. prism	1 pce. smooth finish	A	Set	15	8,5	10,2	-	M2	-	6,3	3,3	4	-	4/3	1	0,5	-
33225-15-2520	1 pce. prism	1 pce. smooth finish	A	Set	25	15	17	-	M4	-	10,3	5	7	-	6,2/4,5	2	1	-
33225-15-3520	1 pce. prism	1 pce. smooth finish	A	Set	35	21	23,8	-	M5	-	14,4	7	9,8	-	8,2/6	2,5	1,8	-
33225-15-1501	smooth	stepped	B	-	15	8,5	-	-	M2	-	6,3	3,3	-	4,8	3	-	-	1
33225-15-2501	smooth	stepped	B	-	25	15	-	-	M4	-	10,3	5	-	8,5	4,5	-	-	1,3
33225-15-3501	smooth	stepped	B	-	35	21	-	-	M5	-	14,4	7	-	12,4	6	-	-	1,5
33225-15-1511	v-block	with stop pin	C	-	15	8,5	10,2	2,5	M2	1	6,3	3,3	4	-	4	1	0,5	-
33225-15-2511	v-block	with stop pin	C	-	25	15	17	4	M4	2	10,3	5	7	-	6,2	2	1	-
33225-15-3511	v-block	with stop pin	C	-	35	21	23,8	6	M5	3	14,4	7	9,8	-	8,2	2,5	1,8	-

2000 21000 22000 23000 24000 26000 27000 28000 29000 31000 32000 33000