

Ball holders

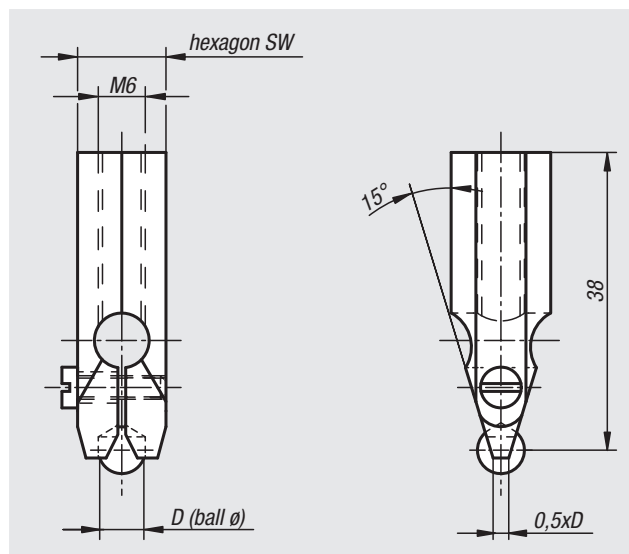


Material:
Spring steel

Version:
Black oxidised.

Sample order:
nlm 33205-03500

Note:
Carbide balls available on request.
The ball holders fit in the measuring
element for gear wheels 33202.



Order No.	D	SW
33205-02000	2	10
33205-02380	2,38	10
33205-02500	2,5	10
33205-03000	3	10
33205-03500	3,5	10
33205-03960	3,96	10
33205-04000	4	10
33205-04500	4,5	10
33205-04760	4,76	10
33205-05000	5	10
33205-05560	5,56	10
33205-06000	6	10
33205-06500	6,5	13
33205-07000	7	13
33205-07540	7,54	13
33205-07938	7,938	13
33205-08500	8,5	13
33205-09520	9,52	13
33205-10000	10	13