

Measuring element

for gear wheels



Material:

Steel.

Version:

Black oxidised.

Sample order:

nlm 33202-070

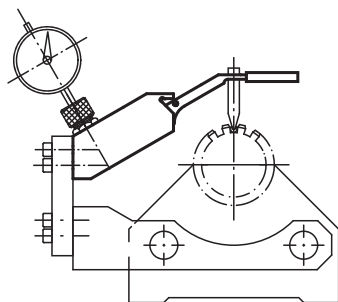
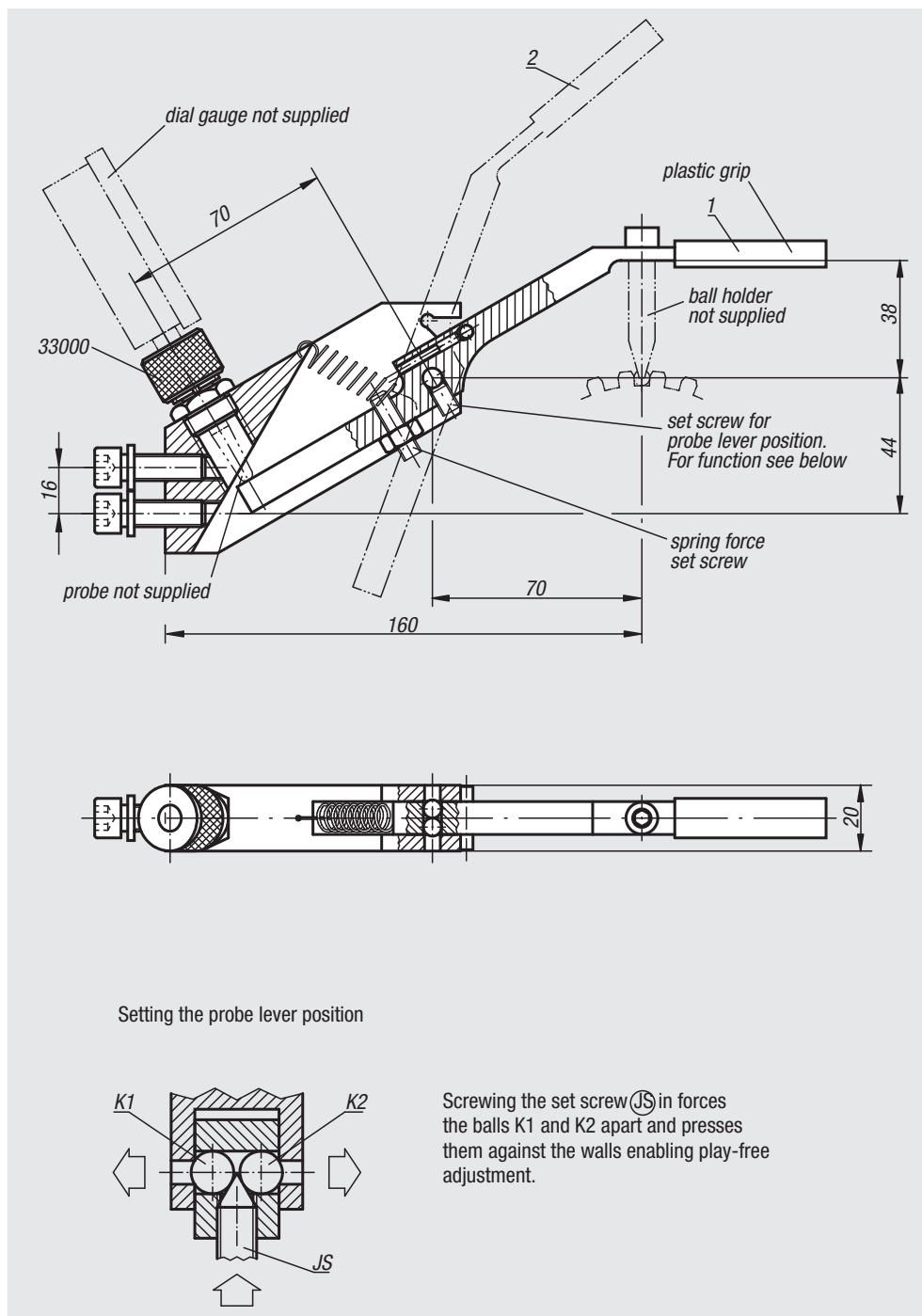
Note:

- 1 = Probe lever in test position
- 2 = Probe lever at rest, engaged

Suitable ball holder see 32205.

Dial gauges see 32540 and 32542.

Probe inserts see 33040 up to 33052.



Order No.

Dimensions

33202-070

see drawing