

33184

Adjustable holder

for fixed centres



Material:

Body 1.7220

Version:

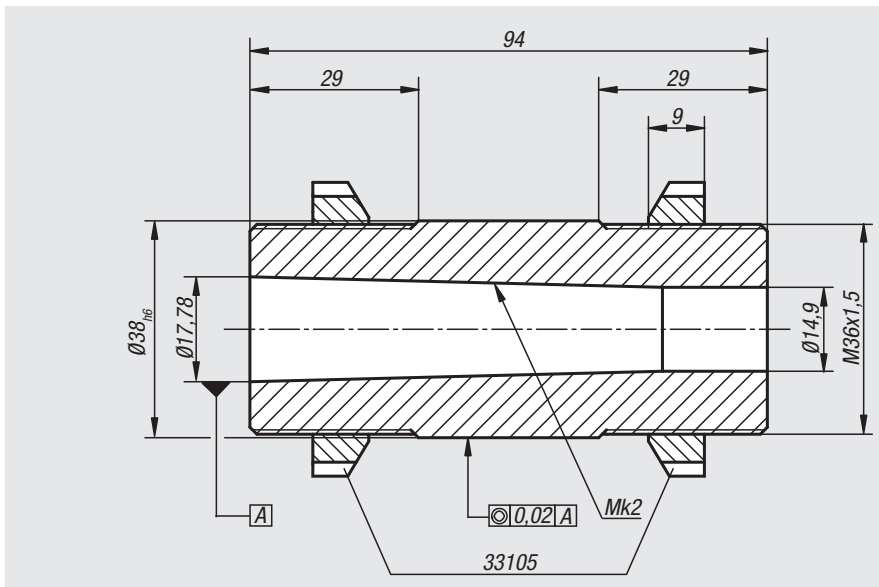
Black oxidised.

Sample order:

nlm 33184-02

Note:

Matching fixed centre 33190.



Order No.	Dimensions
33184-02	see drawing

33190

Fixed centres



Material:

1.2067

Version:

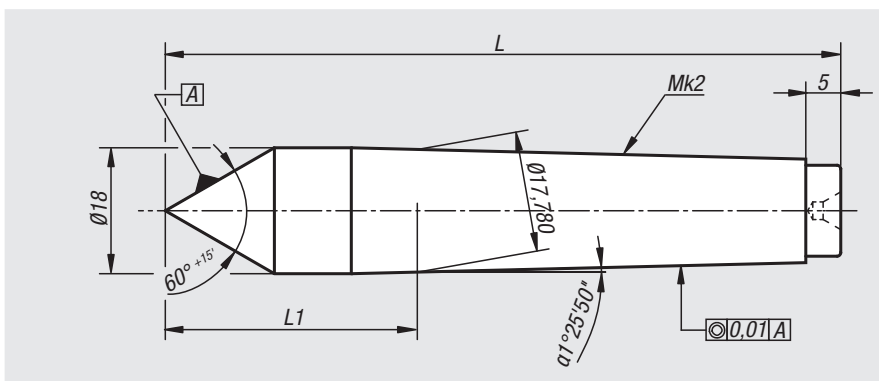
Hardened and ground, bright.

Sample order:

nlm 33190-02105

Note:

These fixed centres fit in 33180, 33182 and 33184.



Order No.	L	L1
33190-02096	96	32
33190-02105	105	41
33190-02113	113	49