

Centre sleeves

spring mounted with retraction cam

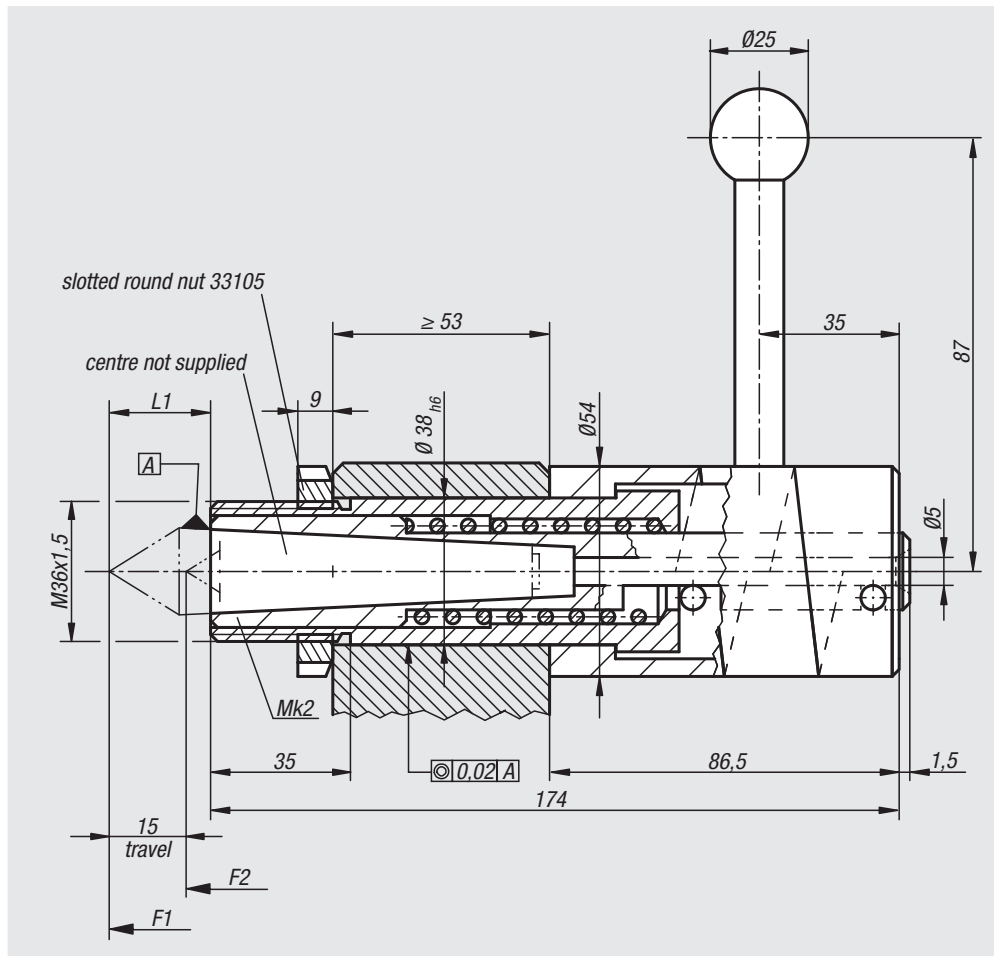


Material:
Steel.
Ball black thermoset PF 31.

Version:
Black oxidised.

Sample order:
nlm 33182-02

Note:
The max. travel of 15 mm is achieved by rotating the cam 180°.



| Order No. | L1 | Matching fixed centre | Spring force initial pressure F1 approx. N | Final pressure F2 approx. N |
|-----------|--------|---|--|-----------------------------------|
| 33182-02 | 324149 | 33190-02096 33190-02113 33190-02105 | 100 | 137 |

2000
2100
22000
23000
24000
26000
27000
28000
29000
31000
32000
33000