

Spring mounted centre sleeves

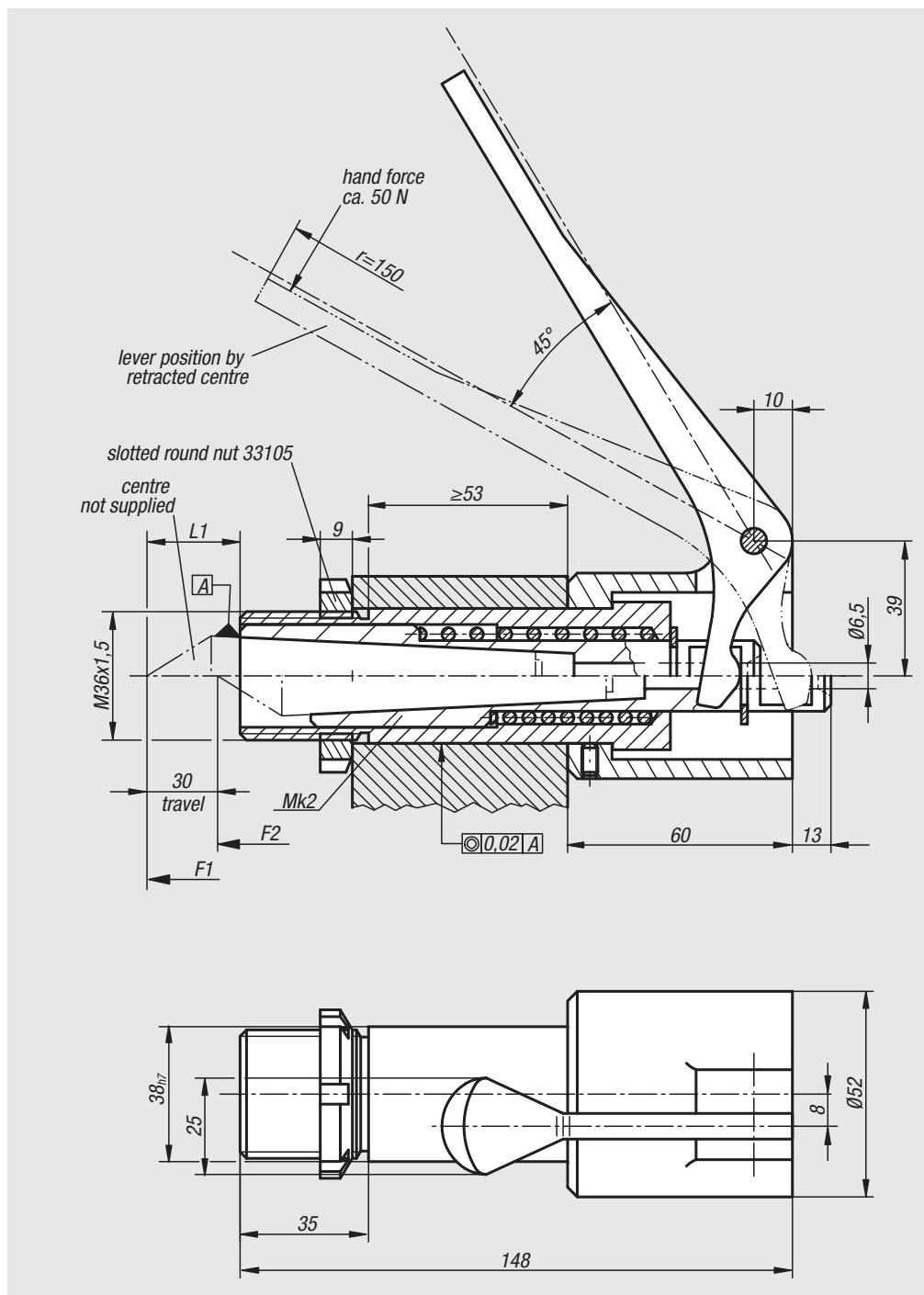
with tension lever



Material:
Steel.

Version:
Black oxidised.

Sample order:
nlm 33180-02



Order No.	L1	Matching fixed centre	Spring force initial pressure F1 approx. N	Final pressure F2 approx. N
33180-02	324149	33190-02096 33190-02105 33190-02113	100	150