

Measuring fixtures



Material:

Steel.
Shaft bearing G.JL 200

Version:

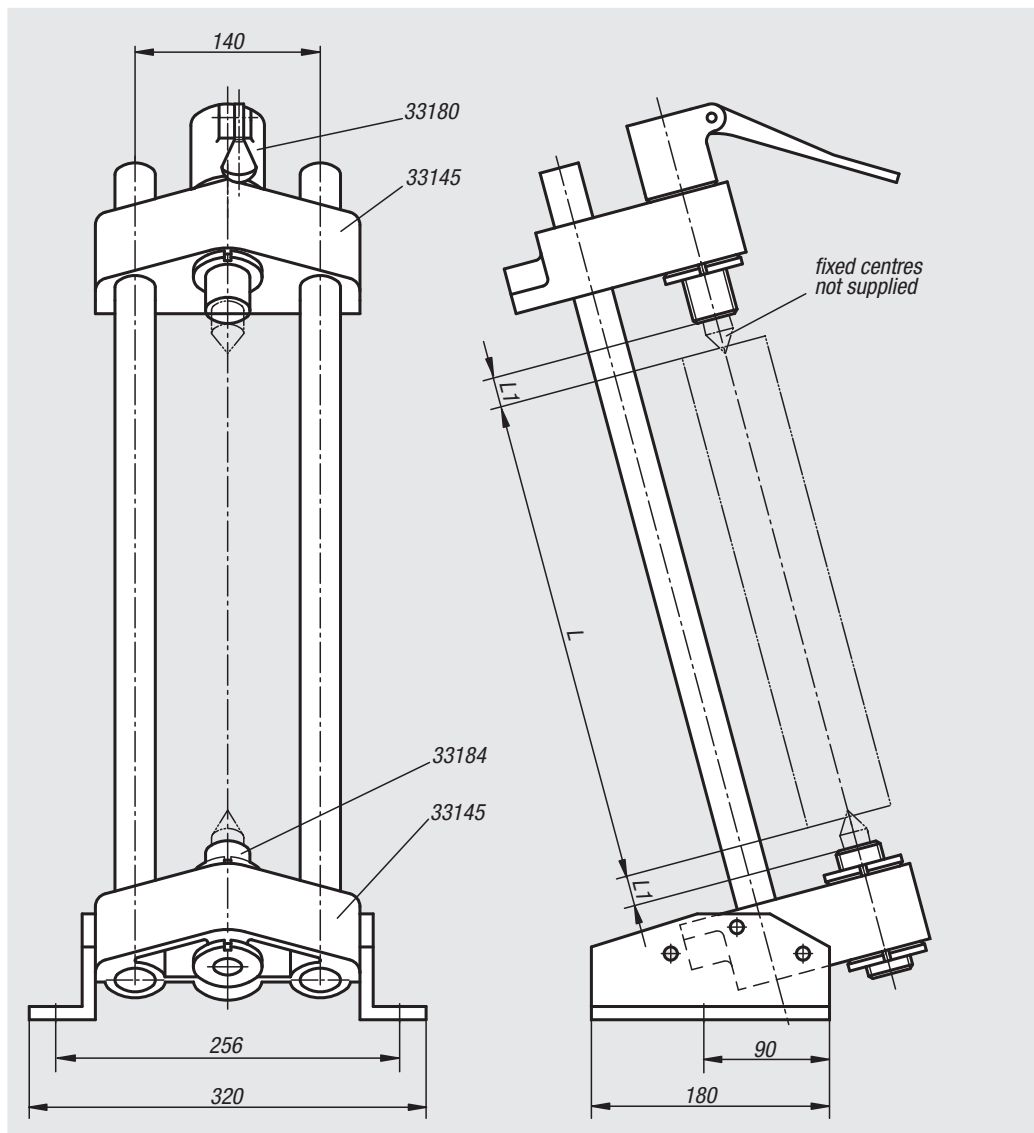
Steel parts black oxidised.
Shaft bearing painted.

Sample order:

nIm 33140-240444

Note:

See example of a measuring fixture.



Order No.	L when L1 = 32 with fixed centre 33190-02096	L when L1 = 49 with fixed centre 33190-02113
33140-240444	274-444	240-410
33140-410524	444-524	410-490