

## Pivoting columns



**Material:**  
Steel.

**Version:**  
Black oxidised.

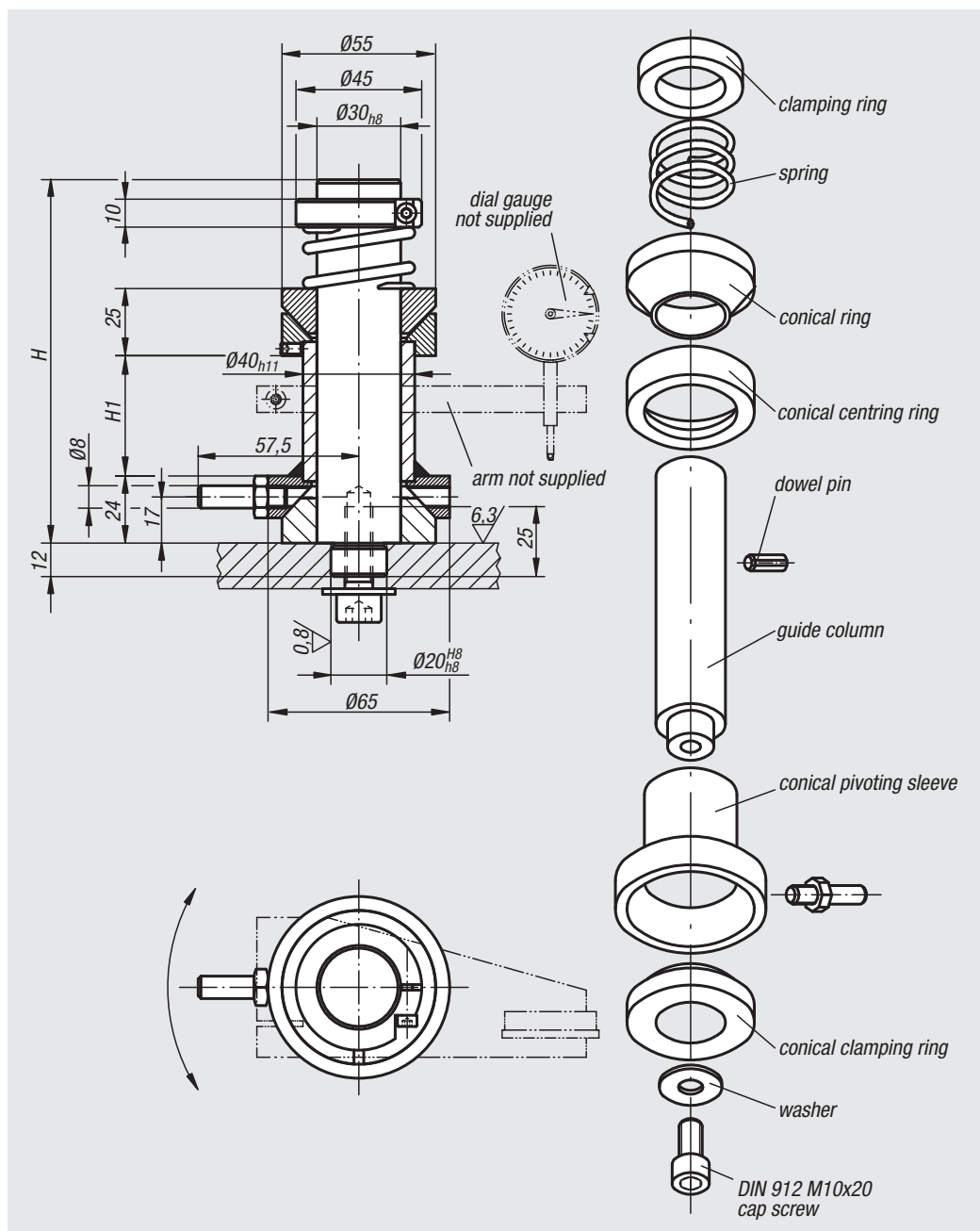
**Sample order:**  
nlm 33110-200

**Note:**  
Dial gauges see 32540 and 32542.  
Measuring arms see 33150.

**Application:**  
For height measurements.

**Assembly:**

- Fully dismantle the pivoting column.
- Fasten guide column to the table with washer and cap screw.
- Slide the conical clamping ring on the column and press down while tightening the screw.
- Slide the conical pivoting sleeve on.
- Fasten the measuring arm onto the conical pivoting sleeve.
- Fasten the conical centring ring onto the conical pivoting sleeve with two grub screws.
- Insert the dowel pin into the guide column.
- Slide the conical ring onto the guide column so that the dowel pin engages in the slot. Ensure the conical ring has no play.
- Mount the spring on the top with the clamping ring to prevent axial play.
- Lubricate all moving parts.



Order No.	H	H1
33110-130	130	43
33110-160	160	73
33110-200	200	113
33110-250	250	163

2000  
21000  
22000  
23000  
24000  
26000  
27000  
28000  
29000  
31000  
32000  
33000