

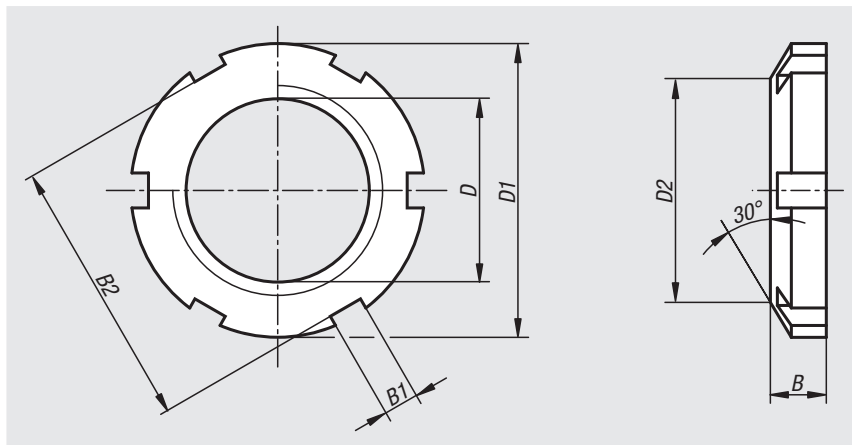
## Slotted round nuts



**Material:**  
Carbon steel.

**Version:**  
Black oxidised.

**Sample order:**  
nlm 33105-16



Order No.	D	D1	D2	B	B1	B2	No. of slots
33105-16	M16x1	26	21	6	4	22	4
33105-36	M36x1,5	52	44	9	6	46	6