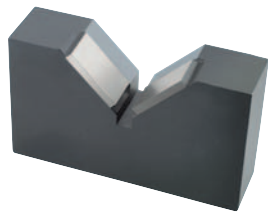


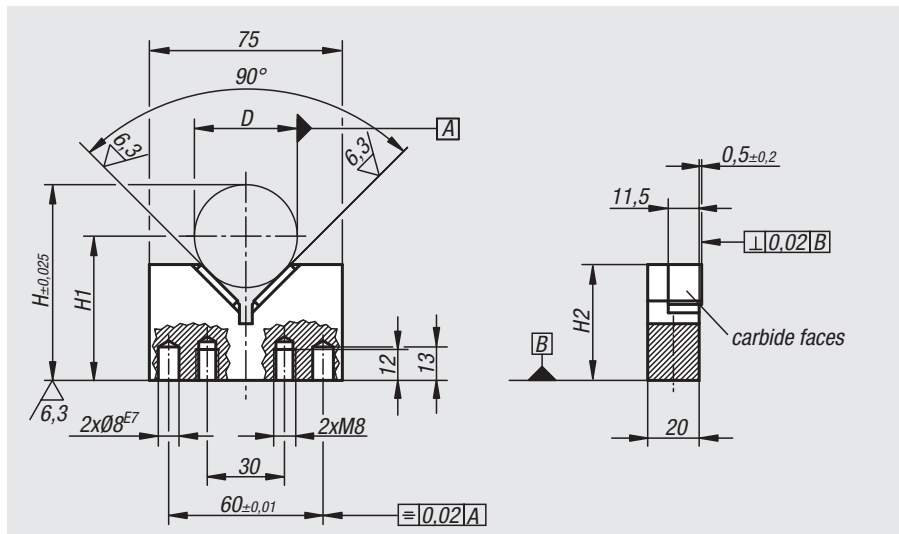
Prism attachments



Material:
Carbon steel.
Contact face carbide.

Version:
Black oxidised.
Contact faces ground, bright.

Sample order:
nlm 33090-010020



Order No.	D min.	D max.	D Test-Ø	H	H1	H2
33090-010020	10	20	20	66	$D/2 \times \sqrt{2} + 41,857$	53
33090-020040	20	40	40	76	$D/2 \times \sqrt{2} + 27,716$	45

Spacers

for prisms attachments

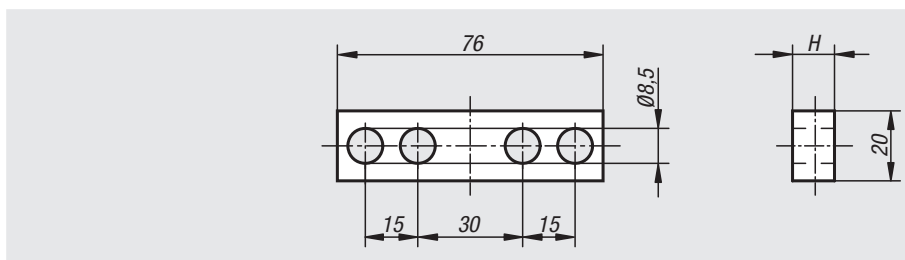


Material:
Carbon steel.

Version:
Black oxidised.

Sample order:
nlm 33092-012

Note:
These spacers are used as riser elements for prisms attachments 33090.



Order No.	H
33092-005	5
33092-008	8
33092-012	12
33092-015	15
33092-020	20