

**33078**

## Deflection dial gauge holders 90°

probe lever with thread

**Material:**

Body aluminium.  
 Probe lever investment cast steel.

**Version:**

Body black anodised.  
 Probe lever black oxidised.

**Sample order:**

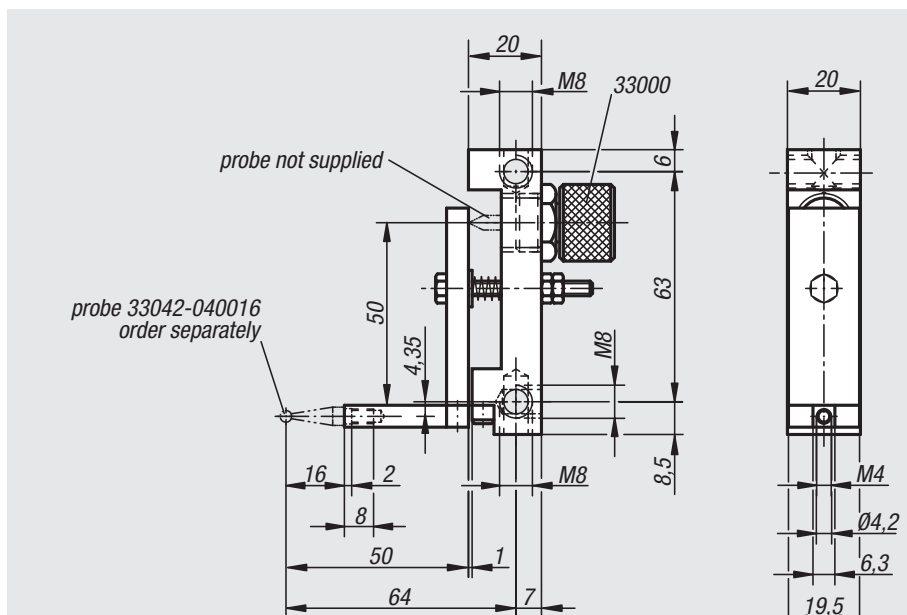
nlm 33078-050

**Note:**

To alter the probe direction and mounting of the deflection dial gauge holder with the fastening adaptors (supplied) see technical information.

**Accessories:**

Dial gauges see 32540 and 32542.  
 Probe inserts see 33042-040016.



Order No.

Dimensions

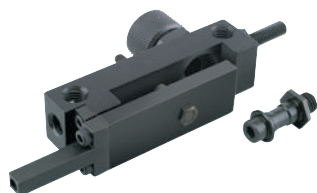
33078-050

see drawing

**33080**

## Deflection dial gauge holders 180°

probe lever with thread

**Material:**

Body aluminium.  
 Probe lever investment cast steel.

**Version:**

Body black anodised.  
 Probe lever black oxidised.

**Sample order:**

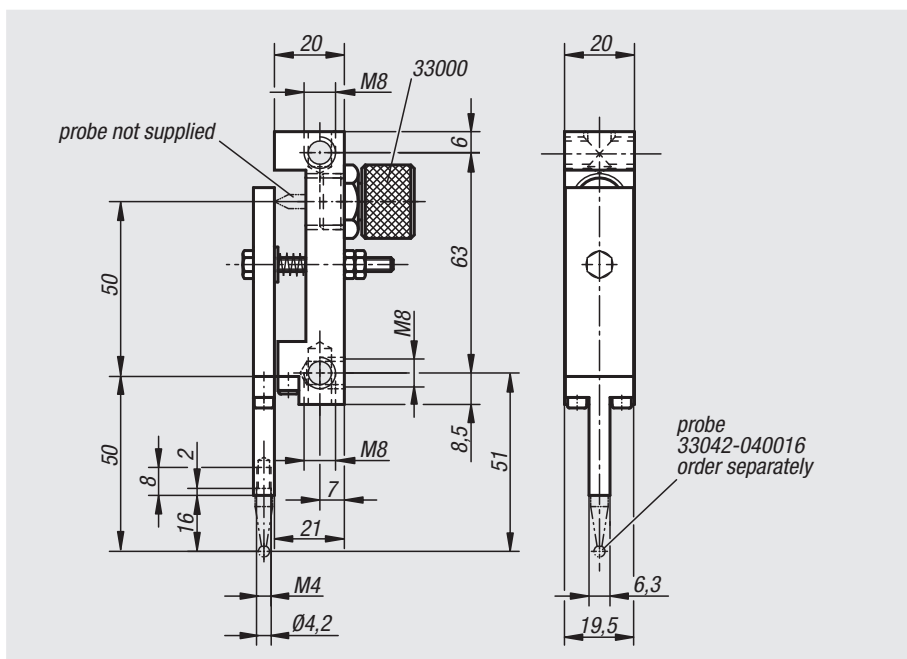
nlm 33080-050

**Note:**

To alter the probe direction and mounting of the deflection dial gauge holder with the fastening adaptors (supplied) see technical information.

**Accessories:**

Dial gauges see 32540 and 32542.  
 Probe inserts see 33042-040016.



Order No.

Dimensions

33080-050

see drawing

**norelem**