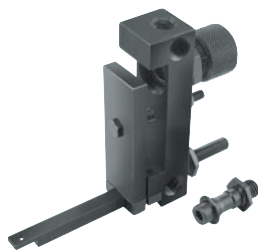


Deflection dial gauge holders 90°

probe lever with hole



Material:

Body aluminium.
Probe lever investment cast steel.

Version:

Body black anodised.
Probe lever black oxidised.

Sample order:

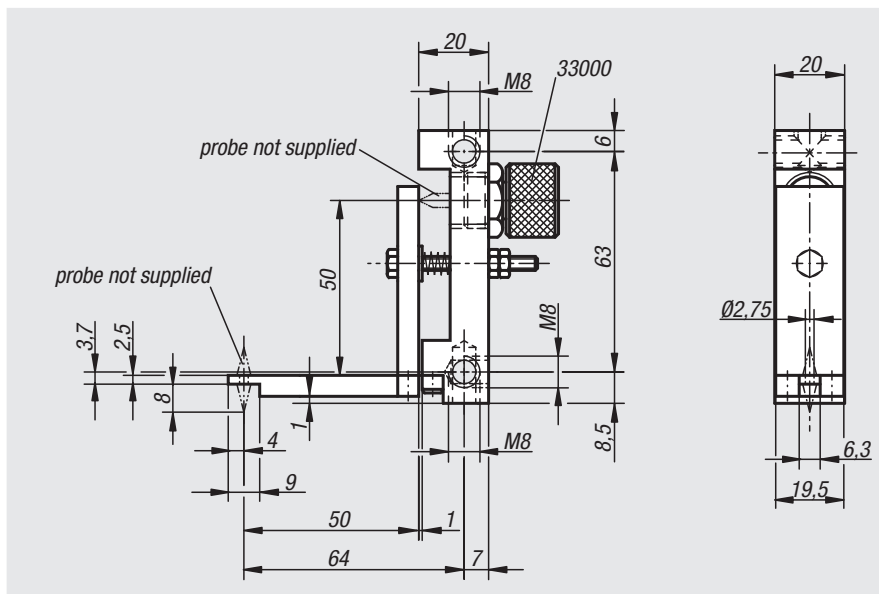
nlm 33074-050

Note:

To alter the probe direction and mounting of the deflection dial gauge holder with the fastening adaptors (supplied) see technical information.

Accessories:

Dial gauges see 32540 and 32542.
Probe inserts see 33040 to 33052.



Order No.

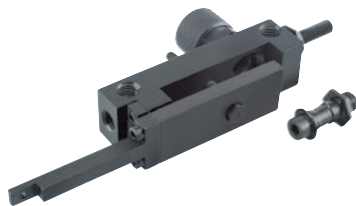
Dimensions

33074-050

see drawing

Deflection dial gauge holders 180°

probe lever with hole



Material:

Body aluminium.
Probe lever investment cast steel.

Version:

Body black anodised.
Probe lever black oxidised.

Sample order:

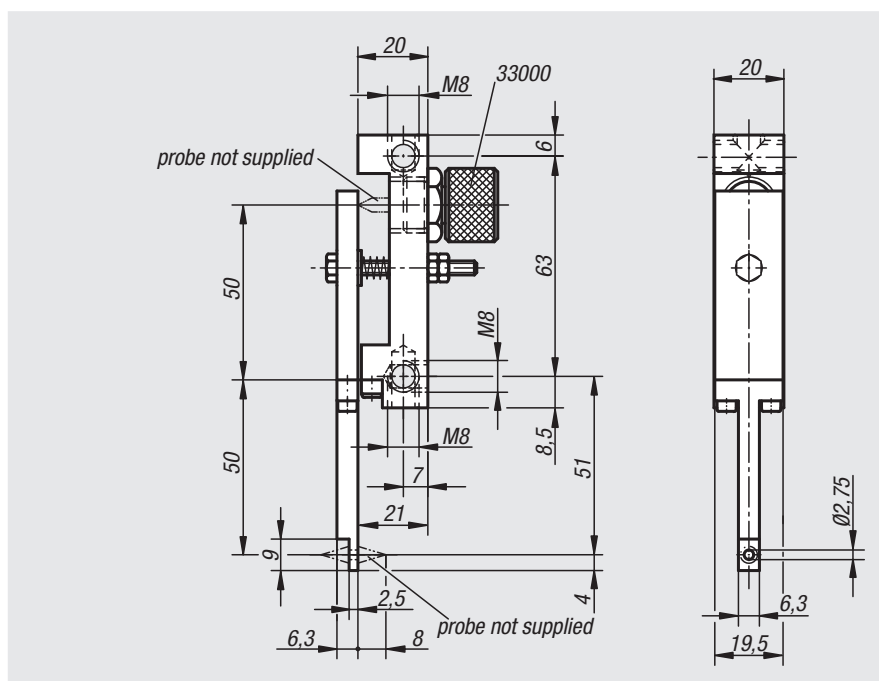
nlm 33076-050

Note:

To alter the probe direction and mounting of the deflection dial gauge holder with the fastening adaptors (supplied) see technical information.

Accessories:

Dial gauges see 32540 and 32542.
Probe inserts see 33040 to 33052.



Order No.

Dimensions

33076-050

see drawing