

Deflection dial gauge holders 90°



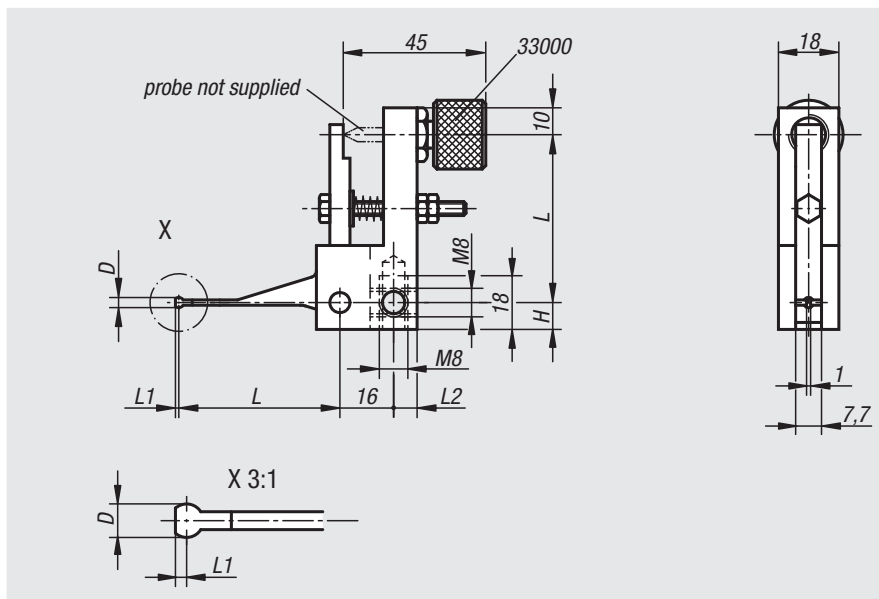
Material:
Steel.

Version:
Black oxidised.

Sample order:
nlm 33070-04803

Note:
To alter the probe direction and mounting of the deflection dial gauge holder with the fastening adaptors (supplied) see technical information.

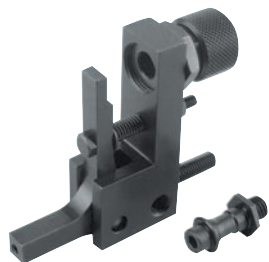
Accessories:
Dial gauges see 32540 and 32542.



Order No.	L	D	L1	L2	H
33070-04803	48	3	1	7	8
33070-07008	70	8	1,5	6	10

Deflection dial gauge holders 90°

probe lever with thread



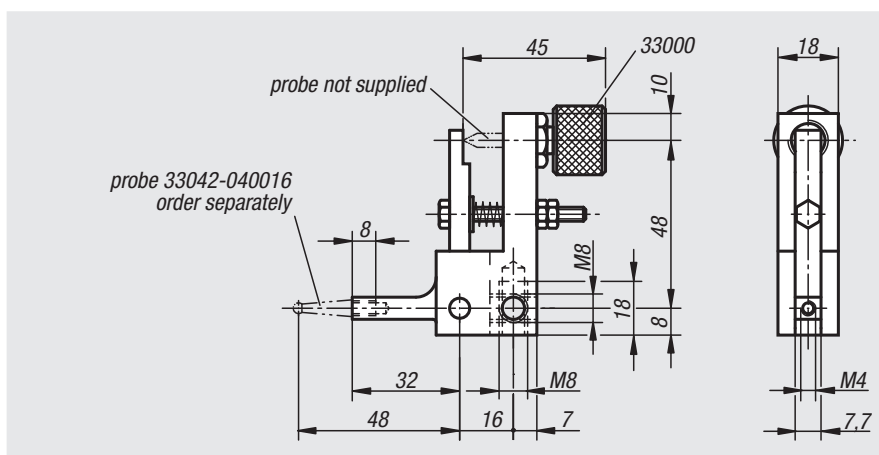
Material:
Steel.

Version:
Black oxidised.

Sample order:
nlm 33072-048

Note:
To alter the probe direction and mounting of the deflection dial gauge holder with the fastening adaptors (supplied) see technical information.

Accessories:
Dial gauges see 32540 and 32542.
Probe inserts see 33042-040016.



Order No.	Dimensions
33072-048	see drawing