

Probe inserts

knife point



Material:

Steel.

Version:

Black oxidised.

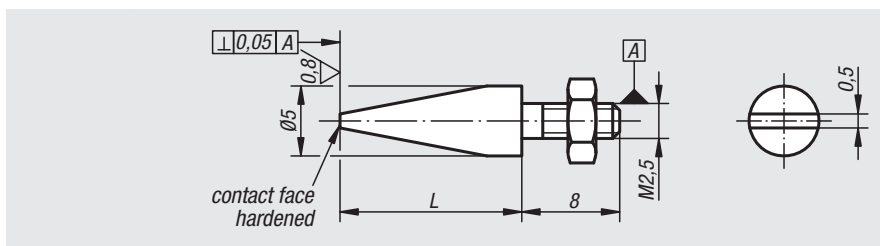
Contact faces hardened.

Sample order:

nIm 33044-025080

Note:

Dial gauges see 32540 and 32542.



Order No.	L
33044-025080	8
33044-025125	12,5
33044-025160	16
33044-025200	20
33044-025280	28

Probe inserts

with flat face



Material:

Steel or carbide contact face

Version:

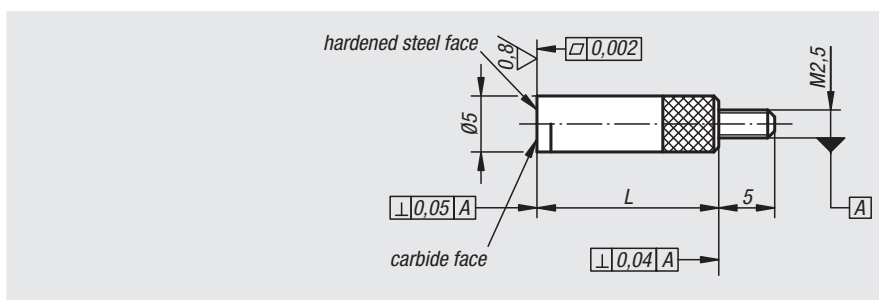
Black oxidised.

Sample order:

nIm 33046-2025160

Note:

Dial gauges see 32540 and 32542.



Order No. steel	Order No. carbide	L
33046-1025080	33046-2025080	8
33046-1025125	33046-2025125	12,5
33046-1025160	33046-2025160	16