

## Extension

for probe inserts



**Material:**

Tool steel.

**Version:**

Black oxidised.

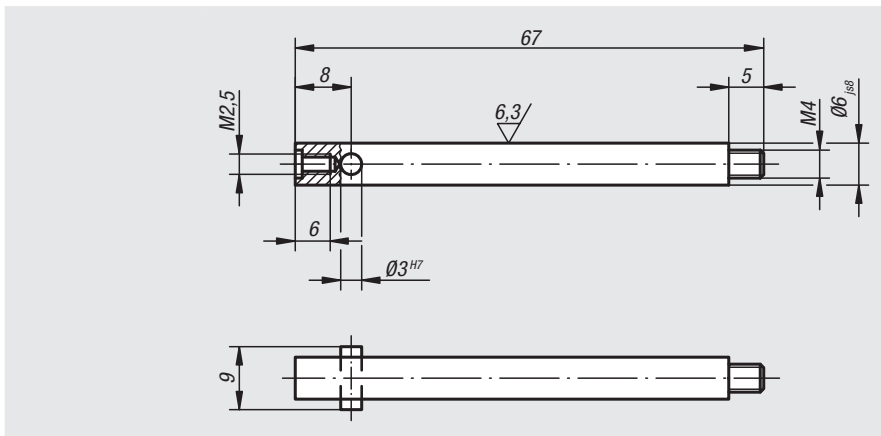
**Sample order:**

nIm 33032-06067

**Note:**

These extension are suitable for dial gauge holder 33018.

For probe inserts see 33040 to 33052.



Order No.

Dimensions

33032-06067

see drawing

## Probe knife point

offset, for fixed stop



**Material:**

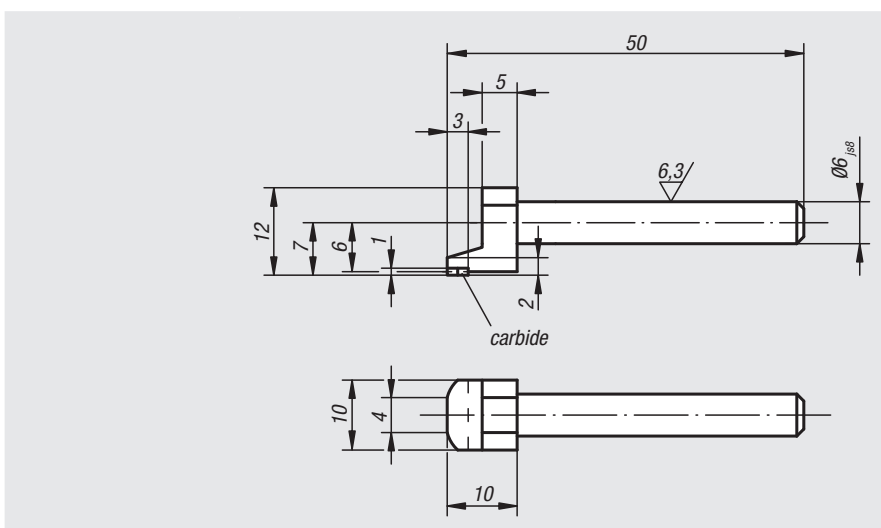
Tool steel.  
Contact face carbide

**Version:**

Black oxidised.

**Sample order:**

nIm 33035-06050



Order No.

Dimensions

33035-06050

see drawing