

33028

## Probe knife point

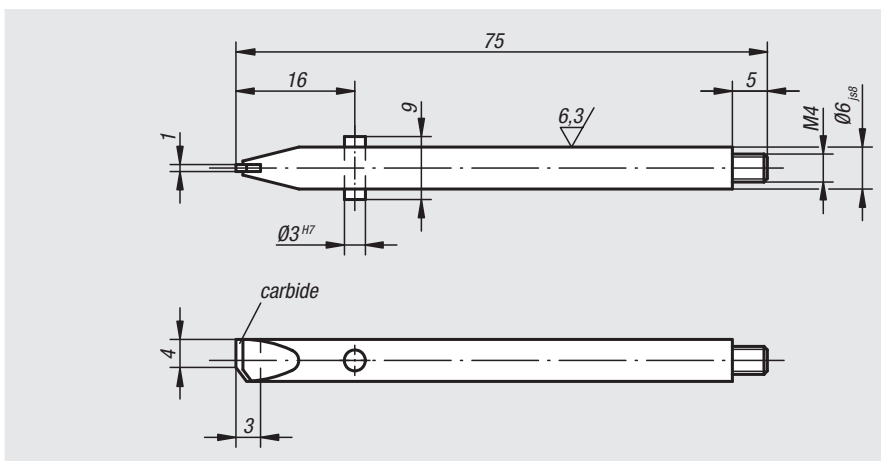


**Material:**  
Tool steel.  
Contact face carbide

**Version:**  
Black oxidised.

**Sample order:**  
nlm 33028-06075

**Note:**  
These probes are suitable for dial gauge holder 33018.



Order No.

Dimensions

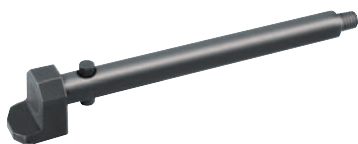
33028-06075

see drawing

33029

## Probe knife point

offset

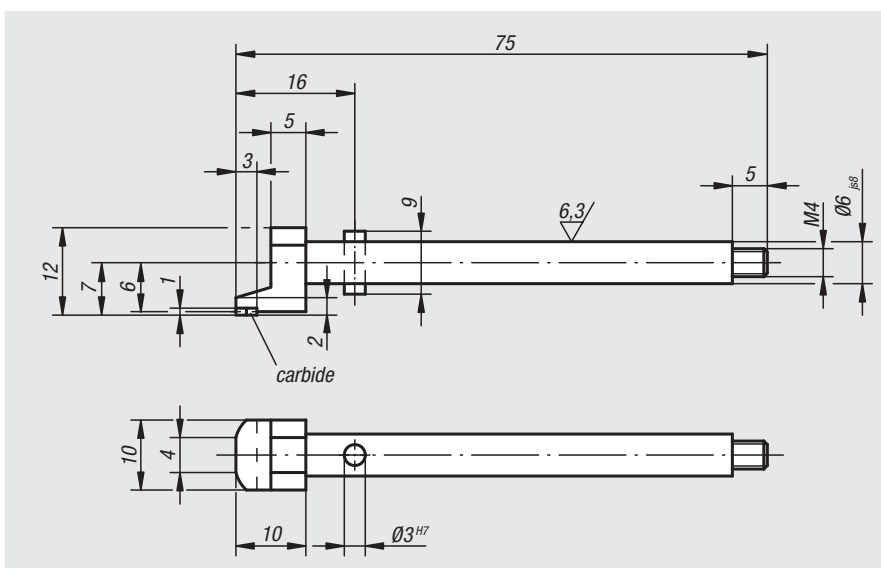


**Material:**  
Tool steel.  
Contact face carbide

**Version:**  
Black oxidised.

**Sample order:**  
nlm 33029-06075

**Note:**  
These probes are suitable for dial gauge holder 33018.



Order No.

Dimensions

33029-06075

see drawing