

## Probe

with reduced flat face



**Material:**

Steel.

**Version:**

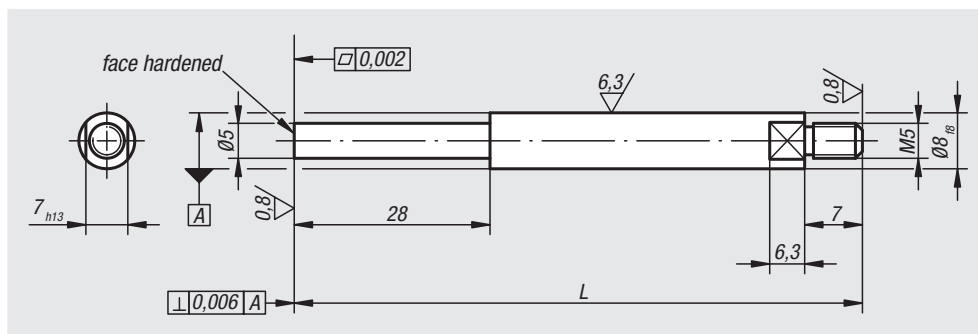
Black oxidised.

**Sample order:**

nIm 33024-08160

**Note:**

These probes are suitable for dial gauge holders 33010 to 33016.



Order No.	L
33024-08080	80
33024-08100	100
33024-08160	160
33024-08250	250

## Probe

with reduced domed point



**Material:**

Steel.

**Version:**

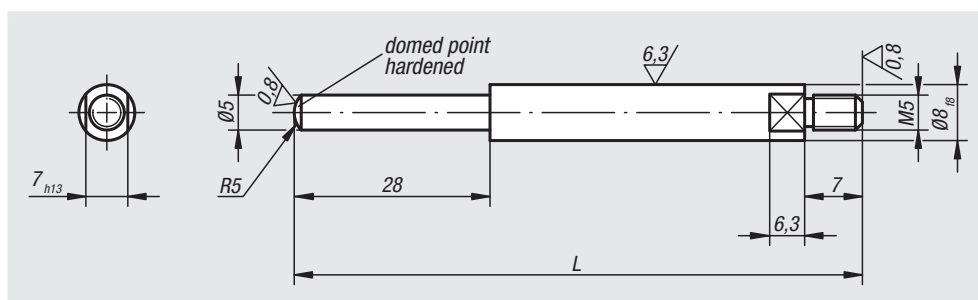
Black oxidised.

**Sample order:**

nIm 33026-08080

**Note:**

These probes are suitable for dial gauge holders 33010 to 33016.



Order No.	L
33026-08080	80
33026-08100	100
33026-08160	160