

## Probe

with flat face



**Material:**

Steel.

**Version:**

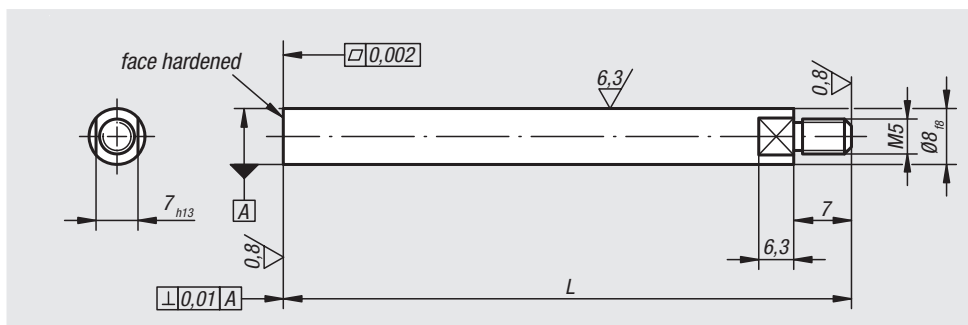
Black oxidised.

**Sample order:**

nIm 33020-08100

**Note:**

These probes are suitable for dial gauge holders 33010 to 33016.



Order No.	L
33020-08063	63
33020-08080	80
33020-08100	100
33020-08160	160
33020-08250	250

## Probe

with flat point



**Material:**

Steel.

**Version:**

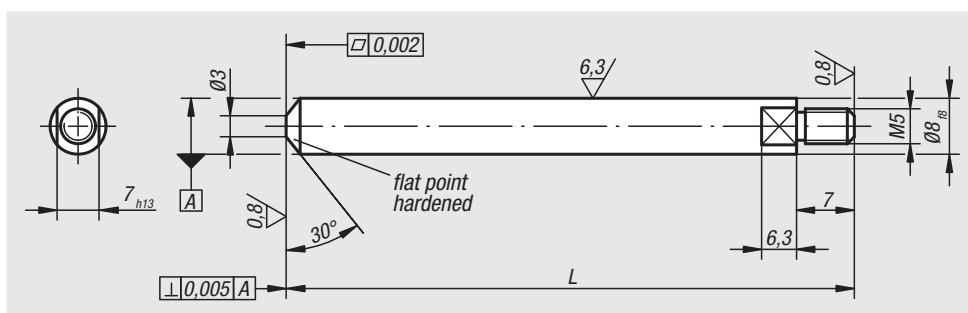
Black oxidised.

**Sample order:**

nIm 33022-08063

**Note:**

These probes are suitable for dial gauge holders 33010 to 33016.



Order No.	L
33022-08063	63
33022-08080	80
33022-08100	100