

# Dial gauge holders

for measuring frame

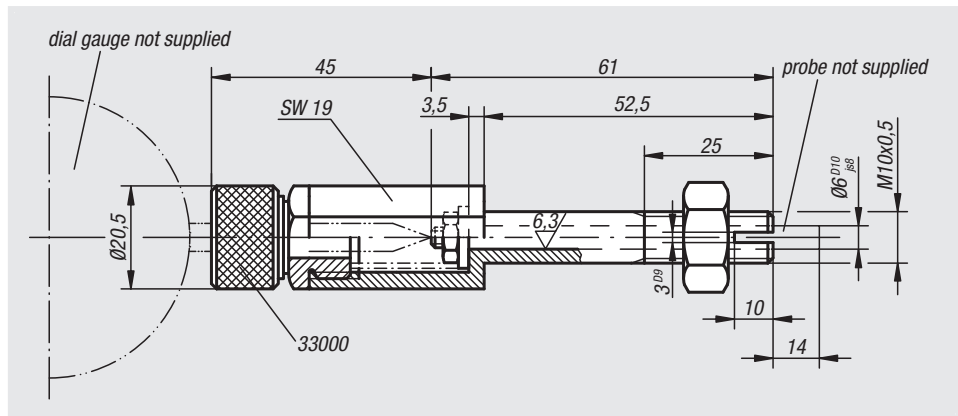


**Material:**  
Carbon steel.

**Version:**  
Black oxidised.  
Collet and body tempered.

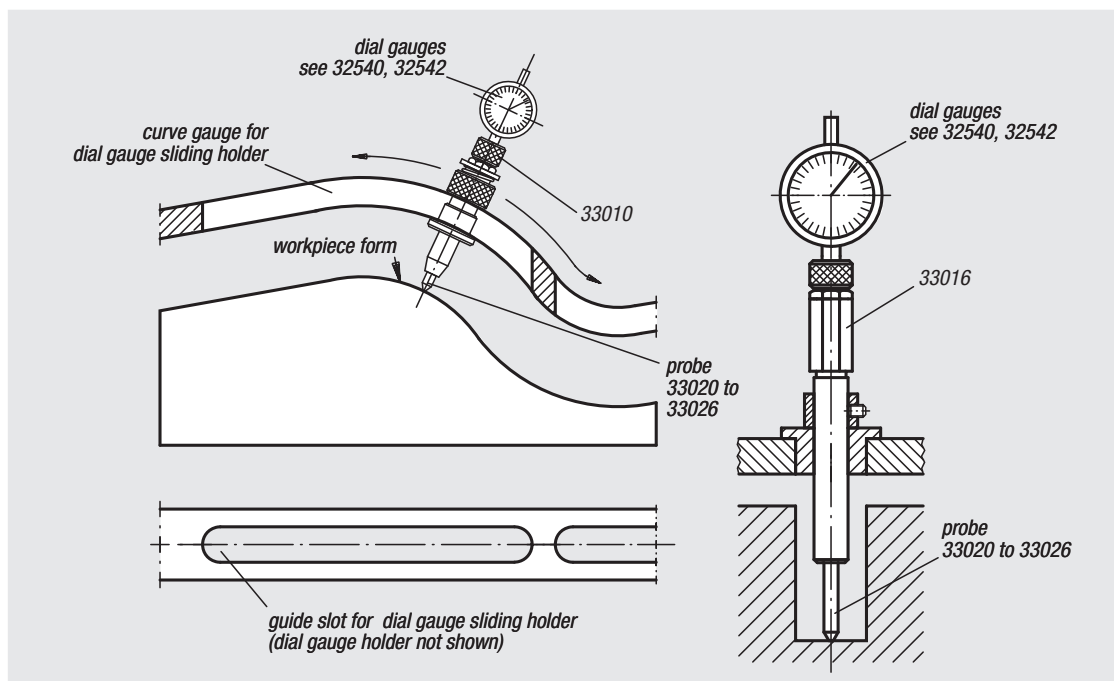
**Sample order:**  
nlm 33018-06053

**Note:**  
Dial gauges and probes are not included.  
Dial gauges see 32540 and 32542.  
Probes see 33028 up to 33032.



Order No.	Supplied for the probe pin
33018-06053	1 washer 4.3 x 14 x 0.9 1 hex nut M4 1 spring

## Example of dial gauge holders



2000  
21000  
22000  
23000  
24000  
26000  
27000  
28000  
29000  
31000  
32000  
33000