

## Dial gauge holders

long version with thread

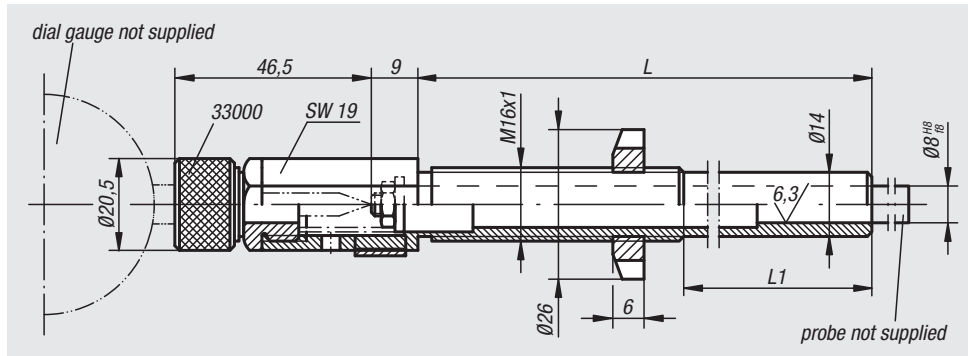


**Material:**  
Carbon steel.

**Version:**  
Black oxidised.  
Collet and body tempered.

**Sample order:**  
nlm 33014-08125

**Note:**  
Dial gauge and probe are not included.  
Dial gauges see 32540 and 32542.  
Probes see 33020 up to 33026.



Order No.	L	L1	Supplied for the probe pin
33014-08125	125	75	1 washer 5.3 x 14 x 11 hex nut M51 spring
33014-08180	180	130	1 washer 5.3 x 14 x 11 hex nut M51 spring

## Dial gauge holders

short version with smooth shaft

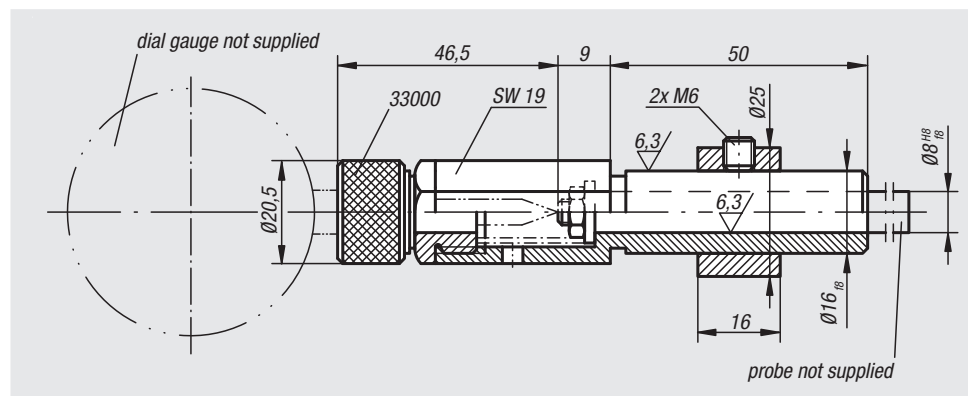


**Material:**  
Carbon steel.

**Version:**  
Black oxidised.  
Collet and body tempered.

**Sample order:**  
nlm 33016-08050

**Note:**  
Dial gauge and probe are not included.  
Dial gauges see 32540 and 32542.  
Probes see 33020 up to 33026.



Order No.	Supplied for the probe pin
33016-08050	1 washer 5.3 x 14 x 11 hex nut M51 spring