

Dial gauge holders

sliding

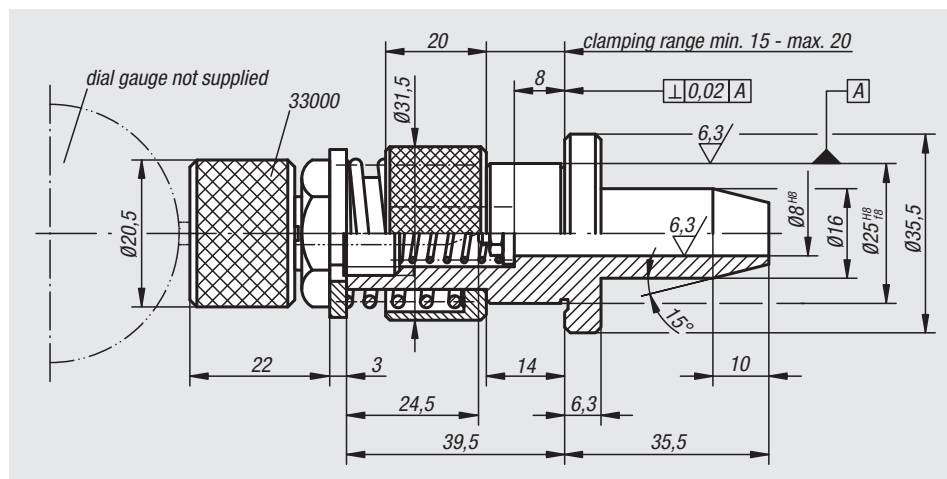


Material:
Carbon steel.

Version:
Black oxidised.
Collet and body tempered.

Sample order:
nlm 33010-08025

Note:
Dial gauge and probe are not included.
Dial gauges see 32540 and 32542.
Probes see 33020 up to 33026.



Order No.

Supplied for the probe pin

33010-08025

1 washer 5.3 x 14 x 11 hex nut M51 spring

Dial gauge holders

short version with thread

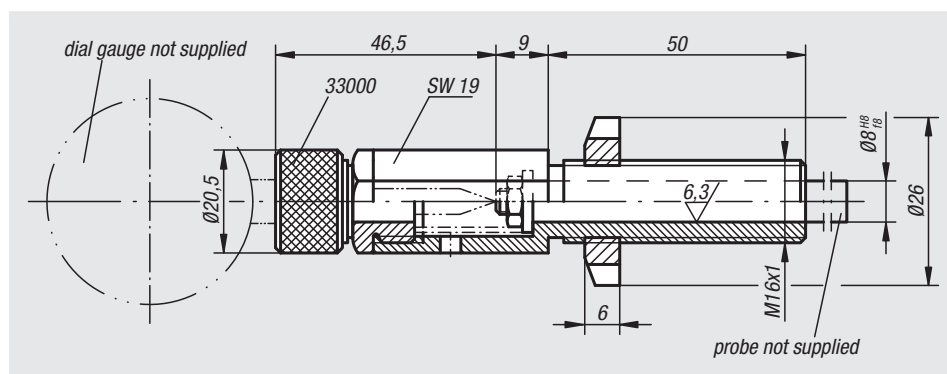


Material:
Carbon steel.

Version:
Black oxidised.
Collet and body tempered.

Sample order:
nlm 33012-08050

Note:
Dial gauge and probe are not included.
Dial gauges see 32540 and 32542.
Probes see 33020 up to 33026.



Order No.

Supplied for the probe pin

33012-08050

1 washer 5.3 x 14 x 11 hex nut M51 spring