

Dial gauge collets

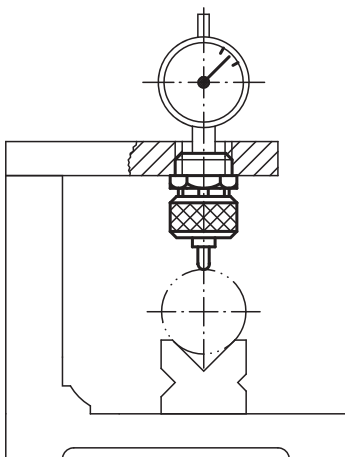
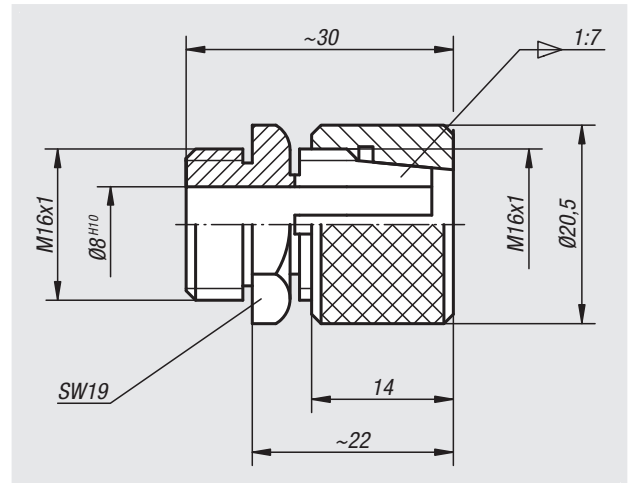
for $\varnothing 8$ shafts



Material:
Carbon steel.

Version:
Black oxidised.
Collet tempered.

Sample order:
nlm 33000-08



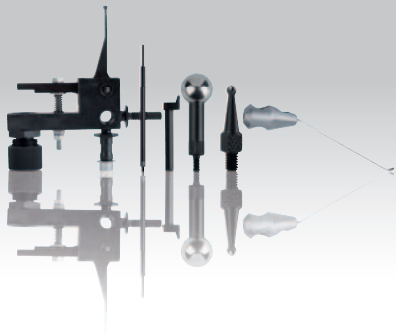
Order No.

Dimensions

33000-08

see drawing

Standard inspection and test fixture elements



33000
Page 1068



Dial gauge collets
for Ø8 shafts

33010
Page 1069



Dial gauge holders
sliding

33012
Page 1069



Dial gauge holders
short version with thread

33014
Page 1070



Dial gauge holders
long version with thread

33016
Page 1070



Dial gauge holders
short version with smooth shaft

33018
Page 1071



Dial gauge holders
for measuring frame

33020
Page 1072



Probe
with flat face

33022
Page 1072



Probe
with flat point

33024
Page 1073



Probe
with reduced flat face

33026
Page 1073



Probe
with reduced domed point

33028
Page 1074



Probe knife point

33029
Page 1074



Probe knife point
offset

33032
Page 1075



Extension
for probe inserts

33035
Page 1075



Probe knife point
offset, for fixed stop

33040
Page 1076



Probe inserts
with domed point

33042
Page 1076



Probe inserts
with ball point

33044
Page 1077



Probe inserts
knife point

33046
Page 1077



Probe inserts
with reduced flat face

33048
Page 1078



Probe inserts
with domed face

33050
Page 1078



Probe inserts
with enlarged flat face

33052
Page 1079



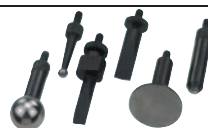
Extensions
for probe inserts

33058
Page 1079



Probe insert set
11-piece

33058
Page 1080



Probe inserts hardened steel
thread M2.5

33058
Page 1081



Probe inserts carbide
thread M2.5

33060
Page 1082



Protection frames
for dial gauges

33070
Page 1084



Deflection dial gauge holders 90°

33072
Page 1084



Deflection dial gauge holders 90°
probe lever with thread

33074
Page 1085



Deflection dial gauge holders 90°
probe lever with hole

33076
Page 1085



Deflection dial gauge holders 180°
probe lever with hole

33078
Page 1086



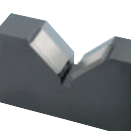
Deflection dial gauge holders 90°
probe lever with thread

33080
Page 1086



Deflection dial gauge holders 180°
probe lever with thread

33090
Page 1087



Prism attachments

33092
Page 1087



Spacers
for prisms attachments

33105
Page 1088



Slotted round nuts

33110
Page 1089



Pivoting columns

33115
Page 1090



Pivoting systems

33140
Page 1091




Measuring fixtures

33150
Page 1093



Measuring arms

33180
Page 1094



Spring mounted centre sleeves
with tension lever

33182
Page 1095



Precision three-jaw chuck
manual operation

33184
Page 1096



Adjustable holder
for fixed centres

33190
Page 1096



Fixed centres

33202
Page 1098



Measuring element
for gear wheels

33205
Page 1099



Ball holders

33225
Page 1101



Precision vice

33225-10
Page 1102




Precision vices
stainless steel, aluminium or brass,
mini +

33225-15
Page 1103



Stainless steel jaw plates
for precision vices +

33225-16
Page 1104



Mounting plates aluminium
for precision vices +

33226
Page 1105



Precision three-jaw chuck
manual operation

33227
Page 1106



Needle support

33260
Page 1107



Spring fingers

33262
Page 1108



Columns
for spring fingers

+ New/Expanded Items