

Dial gauges digital


Material:

Housing aluminium.
Measuring spindle stainless steel.

Version:

Measuring spindle hardened and ground.

Sample order:

nIm 32542-04

Note:

Display rotatable by 270°
Standard holding shank \varnothing 8h6
Exchangeable probe
Thread M2.5
Protection class IP54

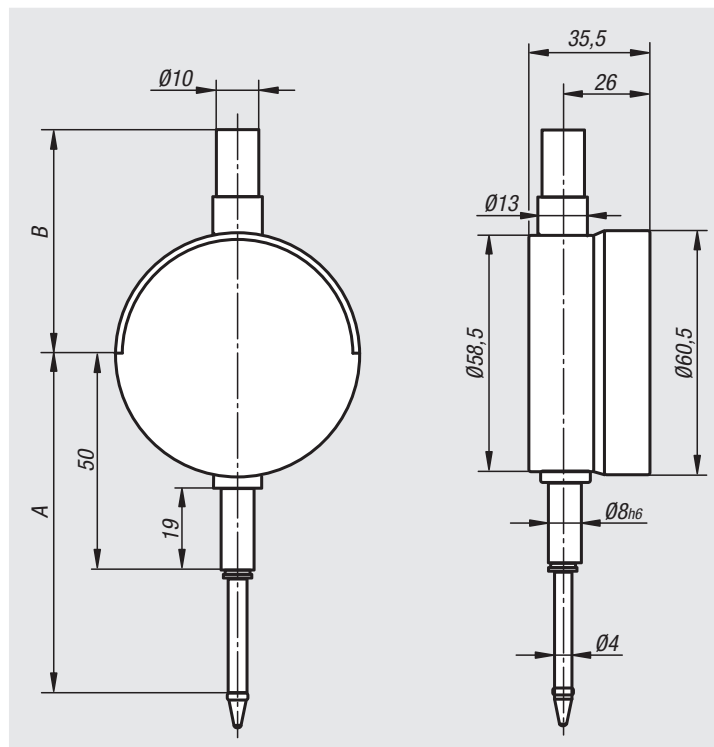
Function:

– Measures in mm or inch
– Preset

Switch-off electronics.
6 digit LCD display.
Extra large digits.
Digit height 8.5 mm.
Max. transverse speed 1.5 m/s.
interface Opto RS232C.
Battery life ca. 2000 hours.
Supplied with CR2032 battery.

Accessories:

Spare CR2032 battery
order No. 32510-20.



Order No.	Version	Type	A	B	Measuring range mm	Resolution mm	Precision mm	Repeat precision μ m	Probe force N
32542-01	dial gauge	Preset	78,4	53,4	25	0,001	0,005	2 (\pm 2s)	0,6 - 1,10
32542-02	dial gauge	Preset	78,4	53,4	25	0,01	0,010	2 (\pm 2s)	0,6 - 1,10
32542-03	dial gauge	Preset	65,9	53,4	12,5	0,001	0,005	2 (\pm 2s)	0,7 - 0,95
32542-04	dial gauge	Preset	65,9	53,4	12,5	0,001	0,004	2 (\pm 2s)	0,65 - 0,9
32542-012	dial gauge with calibration certificate	Preset	78,4	53,4	25	0,001	0,005	2 (\pm 2s)	0,6 - 1,10
32542-022	dial gauge with calibration certificate	Preset	78,4	53,4	25	0,01	0,010	2 (\pm 2s)	0,6 - 1,10
32542-032	dial gauge with calibration certificate	Preset	65,9	53,4	12,5	0,001	0,005	2 (\pm 2s)	0,7 - 0,95
32542-042	dial gauge with calibration certificate	Preset	65,9	53,4	12,5	0,01	0,010	2 (\pm 2s)	0,7 - 0,95