

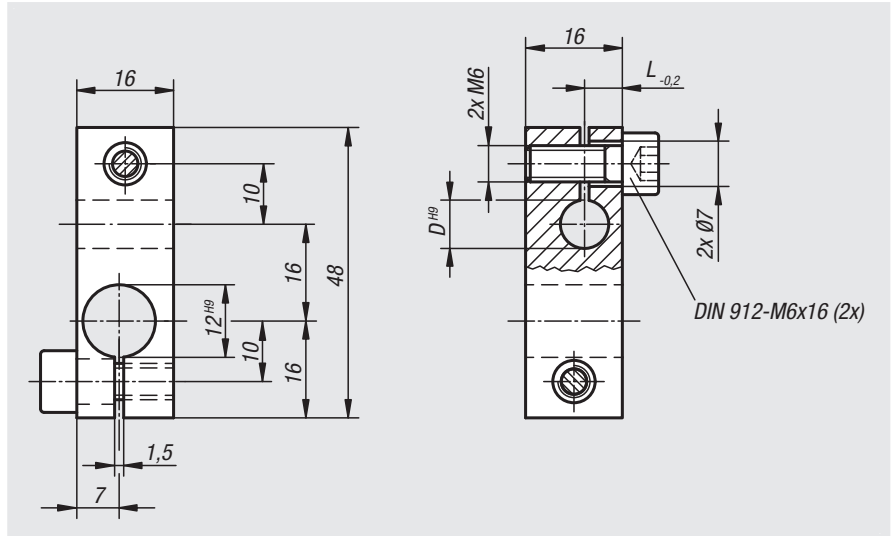
## Joint blocks



**Material:**  
Carbon steel.

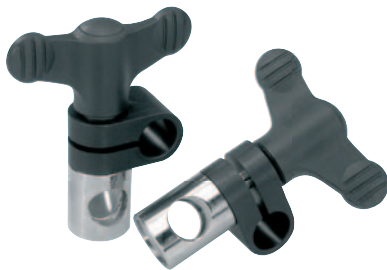
**Version:**  
Black oxidised.

**Sample order:**  
nlm 31154-1210



Order No.	D	L
31154-1208	8	5
31154-1210	10	6
31154-1212	12	7

## Clamping joints



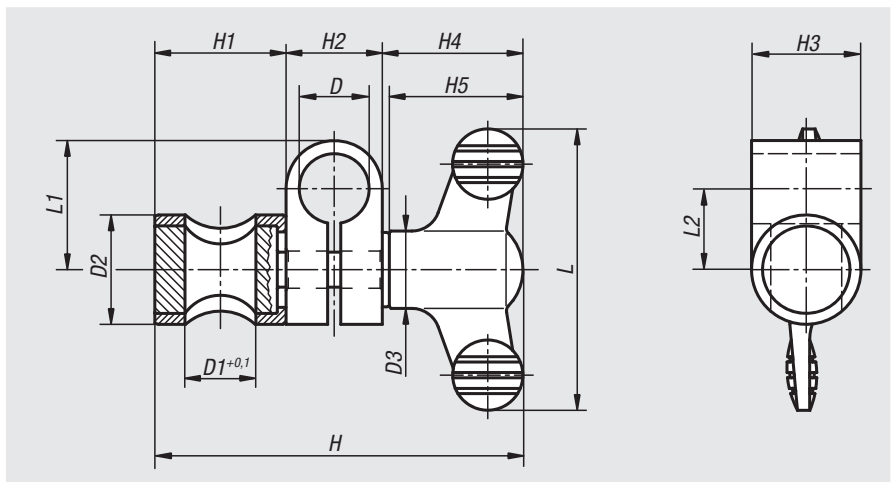
**Material:**  
Sleeve and pin steel.  
Clamp block high-strength aluminium.  
Wing grip black grey thermoplastic.

**Version:**  
Sleeve and pin high-gloss chromed.  
Clamp block black anodised.

**Sample order:**  
nlm 31156-1616

**Note:**  
Infinitely adjustable.  
Wing grip for rapid clamping.

**On request:**  
Different combinations diameters D and D1.



Order No.	Size	D	D1	D2	D3	H	H1	H2	H3	H4	H5	L	L1	L2
31156-0606	1	6	6	14	12	43,6	15	9	14	19,6	18	38	13	8,5
31156-0808	2	8	8	16	14	54,6	17	12	16	25,6	24	50	18	12
31156-1010	3	10	10	18	14	60,6	20	15	18	25,6	24	50	22	14,5
31156-1212	4	12	12	20	21	77,2	23	17	20	37,2	35,6	75	24	15,5
31156-1616	5	16	16	25	21	90,2	31	22	25	37,2	35,6	75	29,5	18,5
31156-2020	6	20	20	30	21	98,2	36	25	30	37,2	35,6	75	30	17,5