

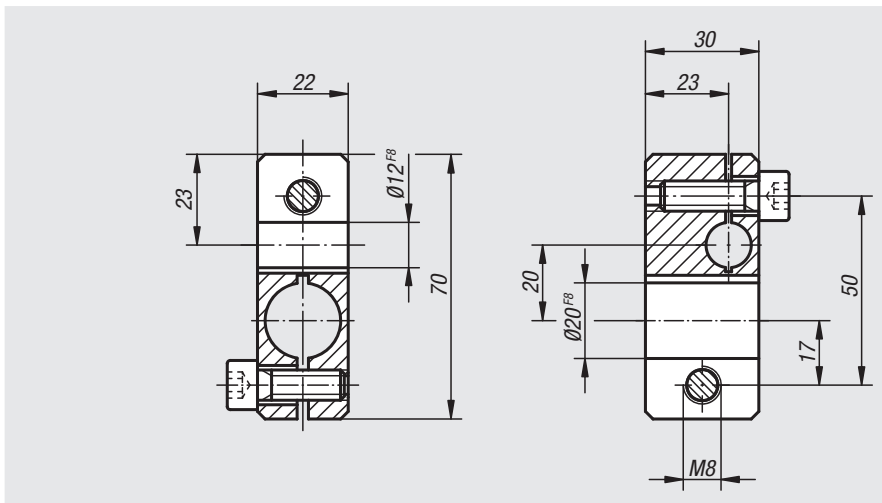
Joint blocks



Material:
Carbon steel.

Version:
Black oxidised.

Sample order:
nlm 31150-1220



Order No.	Dimensions
31150-1220	see drawing

Joint blocks

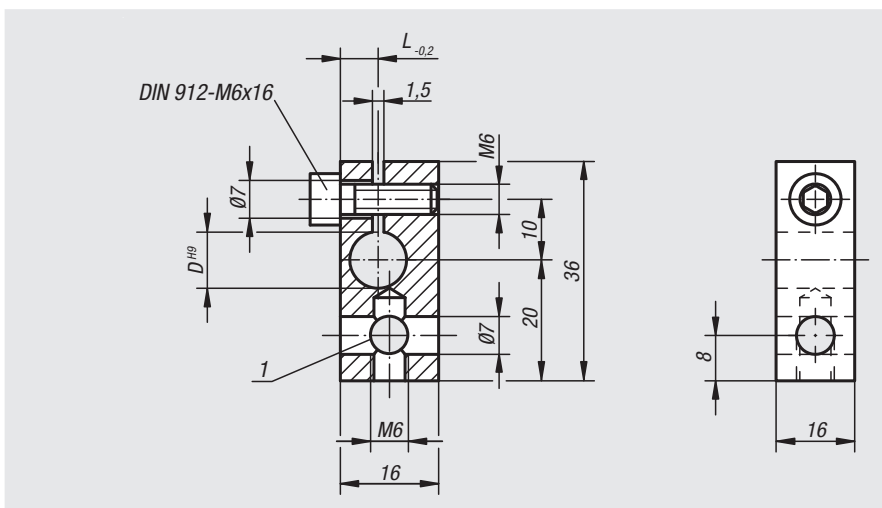


Material:
Carbon steel.

Version:
Black oxidised.

Sample order:
nlm 31152-0712

Drawing reference:
1) hole only in 31152-0708



Order No.	D	L
31152-0708	8	5
31152-0710	10	6
31152-0712	12	7