

31140

Dial gauge holders

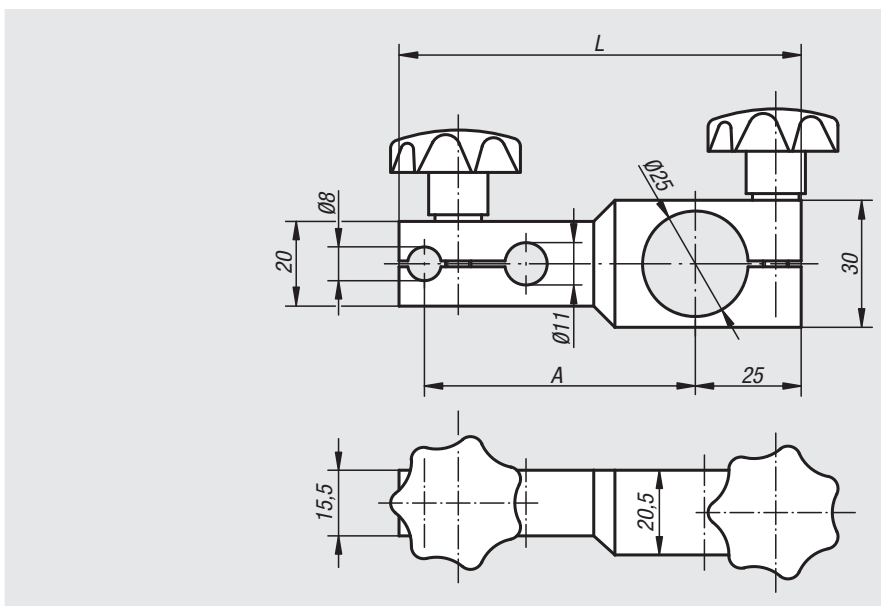


Material:
Aluminium.

Version:
Black anodised

Sample order:
nlm 31140-065

Note:
Fits on 31020.



Order No.	A	L
31140-065	65	95
31140-100	100	130

31141

Dial gauge holders

with fine adjustment

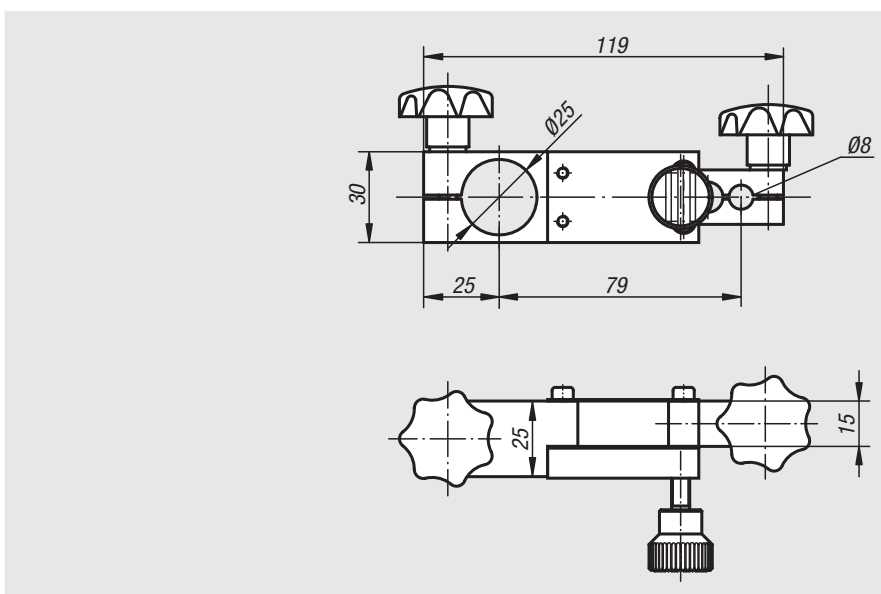


Material:
Aluminium.

Version:
Black anodised

Sample order:
nlm 31141-079

Note:
Fits on 31020.



Order No.	Dimensions
31141-079	see drawing